

installation and servicing

isar

Your Ideal installation and servicing guide

HE24, HE30, HE35

For users guide see reverse of book

When replacing any part on this appliance, use only spare parts that you can be assured conform to the safety and performance specification that we require. Do not use reconditioned or copy parts that have not been clearly authorised by Ideal Boilers.

October 2003 UIN 200 213 A01

i *Ideal* BOILERS
ENGINEERED FOR PEACE OF MIND

GENERAL

Table 1 - General Data

| isar | | HE24 | HE30 | HE35 |
|---|--|--|---------------|------------|
| Gas supply | | 2H - G20 - 20mbar | | |
| Gas Supply Connection | | Rc 1/2 (1/2" BSP female) | | |
| Injector Size | | Stereomatic 5.6mm dia. | | |
| Inlet Connection Domestic Hot Water | | 15mm copper compression | | |
| Outlet Connection Domestic Hot Water | | 15mm copper compression | | |
| Flow Connection Central Heating | | 22mm copper compression | | |
| Return Connection Central Heating | | 22mm copper compression | | |
| Flue Terminal Diameter mm (in) | | 100 (4) | | |
| Average Flue Temp-Mass Flow Rate (DHW) | | 66°C-10g/s | 74°C - 12 g/s | 82°C-14g/s |
| Maximum Working Pressure (Sealed Systems) | | bar (lb/in ²) 2.65 (38.5) | | |
| Maximum Domestic Hot Water Inlet Pressure bar | | (lb/in ²) 10.0 (145) | | |
| Minimum Domestic Hot Water Inlet Pressure bar | | (lb/in ²) 0.5 (7) | | |
| Electrical Supply | | 230 V ~ 50 Hz. | | |
| Power Consumption | | 148 W | 148 W | 152 W |
| Fuse Rating | | External : 3A Internal : T3.15A L250 V | | |
| Water content Central Heating litre (gal) | | 2.0 (0.44) | | |
| Domestic Hot Water | | 0.5 (0.11) | | |
| Packaged Weight kg (lb) | | 49.5 (109) | 50 (110) | 50.5 (111) |
| Maximum Installation Weight kg (lb) | | 42.5 (94) | 43 (95) | 43.5 (96) |
| Boiler Casing Size Height mm (in) | | 687 (27) | | |
| Width mm (in) | | 390 (15 3/8) | | |
| Depth mm (in) | | 278 (11) | | |

Table 2 - Performance Data - Central Heating

| Boiler Input : | | Max. | Min. |
|-------------------------------|----------------------|----------|----------|
| Boiler Input 'Q' | Nett CV kW | 24.4 | 9.1 |
| | (Btu/h) | (83 300) | (31 000) |
| Gross CV kW | 27.1 | 10.1 | |
| | (Btu/h) | (92 500) | (34 400) |
| Gas Consumption | l/s | 0.70 | 0.26 |
| | (ft ³ /h) | (89.0) | (33.1) |
| Boiler Output : | | | |
| Non Condensing | kW | 23.4 | 8.8 |
| 70°C Mean Water temp. | (Btu/h) | (80 000) | (30 000) |
| Condensing | kW | 25.1 | 9.6 |
| 40°C Mean Water temp. | (Btu/h) | (85 700) | (32 800) |
| Seasonal efficiency* (SEDBUK) | Band A [90.1]% | | |
| NOx Classification | Class 5 | | |

Table 3 - Performance Data - Domestic Hot Water

| Maximum DHW Input : | | HE24 | HE30 | HE35 |
|-----------------------------------|----------------------|---------------|----------------|----------------|
| Nett CV kW | 24.3 | 30.2 | 36.0 | |
| | (Btu/h) | (82 900) | (103 000) | (122 800) |
| Gross CV kW | 27.0 | 33.5 | 39.9 | |
| | (Btu/h) | (92 100) | (114 400) | (136 200) |
| Gas Consumption | l/s | 0.7 | 0.87 | 1.03 |
| | (ft ³ /h) | (89.0) | (110) | (131) |
| Maximum DHW Output | kW (Btu/h) | 23.4 (80 000) | 29.3 (100 000) | 35.2 (120 000) |
| DHW Flow Rate at 35°C temp. rise. | l/min (gpm) | 9.6 (2.1) | 12.0 (2.6) | 14.4 (3.2) |
| DHW Specific Rate | l/min (gpm) | 11.2 (2.5) | 14.0 (3.1) | 16.8 (3.7) |

* The value is used in the UK Government's Standard Assessment Procedure (SAP) for energy rating of dwellings. The test data from which it has been calculated have been certified by a notified body.

Note. Gas consumption is calculated using a calorific value of 38.7 MJ/m³ (1038 Btu/ft³) gross or 34.9 MJ/m³ (935 Btu/ft³) nett

To obtain the gas consumption at a different calorific value:

- For l/s - divide the gross heat input (kW) by the gross C.V. of the gas (MJ/m³)
- For ft³/h - divide the gross heat input (Btu/h) by the gross C.V. of the gas (Btu/ft³)

Key to symbols

GB = United Kingdom **IE** = Ireland (Countries of destination)

PMS = Maximum operating pressure of water

C₁₃ C₃₃ C₅₃ = A room sealed appliance designed for connection via ducts to a horizontal or vertical terminal, which admits fresh air to the burner and discharges the products of combustion to the outside through orifices which, in this case, are concentric. The fan is up stream of the combustion chamber.

I_{2H} = An appliance designed for use on 2nd Family gas, Group H only.

CAUTION. To avoid the possibility of injury during the installation, servicing or cleaning of this appliance care should be taken when handling edges of sheet steel components

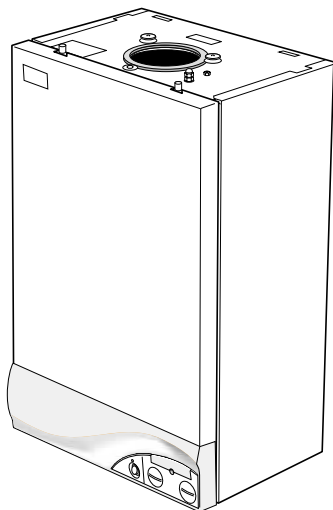
GENERAL

isar

Natural Gas only

| Boiler size | G.C. Appliance No. | PI No. |
|-------------|--------------------|--------------|
| HE24 | 47 348 31 | 0063 BO 3317 |
| HE30 | 47 348 30 | 0063 BO 3317 |
| HE35 | 47 348 29 | 0063 BO 3317 |

Destination Country: GB, IE



CONTENTS

| | |
|------------------------------------|--------|
| Air Supply | 7 |
| Boiler Clearances | 6 |
| Boiler Exploded Diagram | 11 |
| Condensate Drain | 8, 22 |
| Electrical Connections | 23 |
| Electrical Supply | 8 |
| Extension Ducts - Fitting | 17 |
| Fault Finding | 48-52 |
| Flow Wiring Diagram | 26 |
| Flue Fitting | 16 |
| Flue Installation | 7 |
| Gas Safety Regulations | 5 |
| Gas Supply | 7 |
| Installation | 11- 29 |
| Mandatory Requirements | 5-8 |
| Pump | 45 |
| Servicing | 30-47 |
| Short List of Parts | 53 |
| Thermostatic Radiator valves | 8 |
| Water and Systems | 7 |
| Water Connections | 20-21 |
| Water Treatment | 10 |
| Wiring Diagrams | 23-26 |

For GB, to comply with Building Regulations Part L1 (Part J in Scotland) the boiler should be fitted in accordance with the manufacturer's instructions. Self-certification that the boiler has been installed to comply with Building Regulations can be demonstrated by completing and signing the Benchmark log book.

BENCHMARK LOG BOOK DETAILS

| Boiler | Page | | Page |
|---|------------------|--|--------------------|
| Make and model | 3 | Burner operating pressure | measure and record |
| Appliance serial no. on data badge | 11 | Central heating flow temp. | measure and record |
| SEDBUK No. % | 2 | Central heating return temp. ... | measure and record |
| Controls | | For combination boilers only | |
| Time and temperature control to heating | 24 | Scale reducer | n/a |
| Time and temperature control to hot water | 24 | <i>Hot water mode</i> | |
| Heating zone valves | n/a | Heat input | n/a |
| TRV's | 8 | Max. operating burner pressure | n/a |
| Auto bypass | 8 | Max. operating water pressure | n/a |
| Boiler interlock | 8 | Cold water inlet temp | n/a |
| For all boilers | | Hot water outlet temp. | n/a |
| Flushing to BS.7593 | 10 | Water flow rate at max. setting | n/a |
| Inhibitor | 10 | For condensing boilers only | |
| <i>Central heating mode</i> | | Condensate drain | 21 |
| Heat input | to be calculated | For all boilers: complete, sign & hand over to customer | |
| | | For assistance see Technical Helpline on the back page | |

NOTE TO THE INSTALLER: LEAVE THESE INSTRUCTIONS ADJACENT TO THE GAS METER. ALSO COMPLETE THE BENCHMARK LOG BOOK AND GIVE THIS TO THE CUSTOMER.



GENERAL

INTRODUCTION

The **isar** range of boilers are model is a wall mounted, full sequence, automatic spark ignition, low water content, fanned flue, high efficiency, condensing, combination gas boilers.

Note. Due to the high efficiency of the boiler a plume of water vapour will form at the terminal during operation.

Central heating (CH) output is fully modulating with a range of 8.8 to 23.4kW (30,000 to 80,000 Btu/h)

Instantaneous domestic hot water (DHW) output is also fully modulating with a maximum of :

HE24 24.4kW (80,000 Btu/h)

HE30 29.3kW (100,000 Btu/h)

HE35 35.2kW (120,000 Btu/h)

The boiler is supplied fully assembled with DHW plate heat exchanger, diverter valve, circulating pump, pressure gauge, safety valve and CH expansion vessel.

Variable CH and DHW temperature controls are fitted on the user control and the boiler features a DHW preheat facility.

The boiler casing is of white painted mild steel with the user controls capable of being mounted remotely from the boiler if the option is required.

The boiler temperature controls are visible at the bottom RHS of the front panel.

The heat exchanger is of cast aluminium.

The boiler is suitable for connection to fully pumped, sealed water systems ONLY. Adequate arrangements for completely draining the system by provision of drain cocks MUST be provided in the installation pipework.

Pipework from the boiler is routed downwards as standard, but may be routed upwards behind the boiler using the stand-off frame (supplied in a separate kit).

OPERATION

With no demand for CH, the boiler fires only when DHW is drawn off, or periodically for a few seconds without any DHW draw-off, in order to maintain the DHW calorifier in a heated condition.

When there is a demand for CH, the heating system is supplied at the selected temperature of between 30 °C and 82°C, until DHW is drawn off. The full output from the boiler is then directed via the diverter valve to the plate heat exchanger to supply a maximum DHW draw-off of

HE24 9.6 l/min at 35 °C temperature rise.

HE30 12 l/min at 35 °C temperature rise.

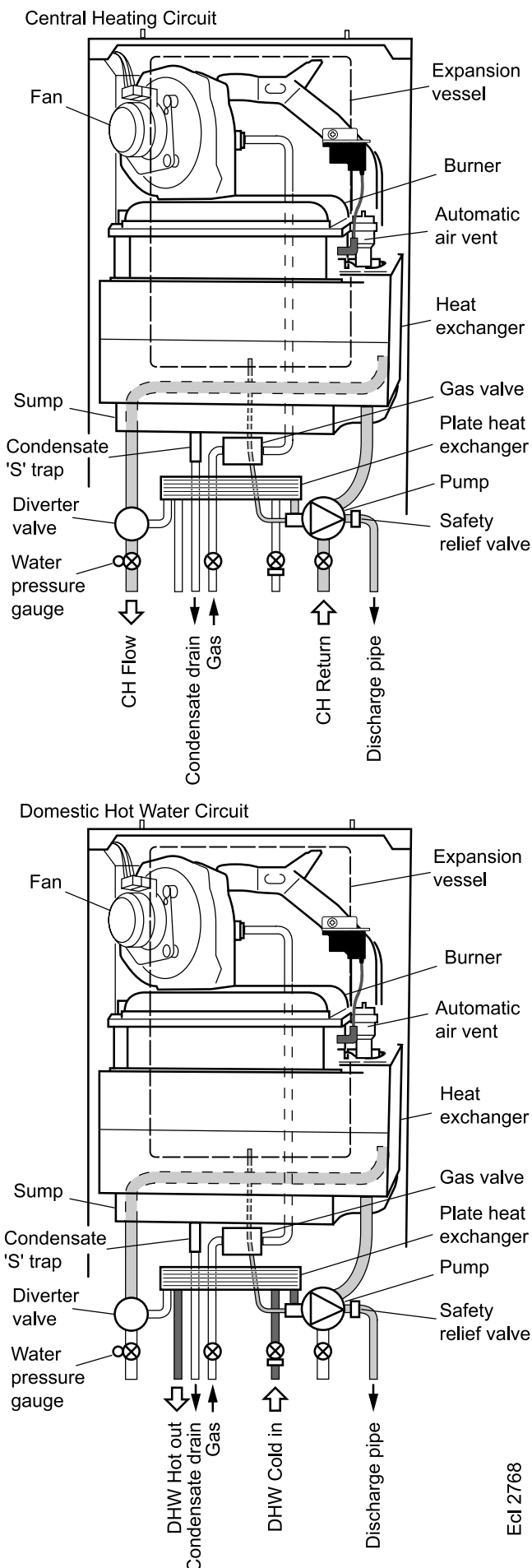
HE35 14.4 l/min at 35 °C temperature rise.

At low DHW draw-off rate the maximum temperature is limited to 65 °C by the modulating gas control.

Refer also to Frame 1 - 'Boiler Water Circuit Diagrams'

The boiler features a comprehensive diagnostic system which gives detailed information on the boiler status when operating, and performance of key components to aid commissioning and fault finding.

1 BOILER WATER CIRCUIT DIAGRAMS



Ecl 2768

OPTIONAL EXTRA KITS

- **Flue Extension Ducts.** (1000mm long).
HE24-upto 6m
HE30-upto 6m
HE35-upto 3m
- **Flue Finishing Kit.**
- **90° Elbow Kit** (maximum per installation).
HE24-upto 4 elbows
HE30-upto 4 elbows
HE35-upto 2 elbows
- **45° Elbow Kit** (maximum per installation).
HE24-upto 4 elbows
HE30-upto 4 elbows
HE35-upto 2 elbows
- **Roof Flue Kit** (to a maximum of 8m).
HE24-upto 8m
HE30-upto 8m
HE35-upto 5m
- **Powered Vertical Flue Kit** (to a maximum primary flue length of 8m + a maximum secondary flue length of 6m)

| | HE24 | HE30 | HE35 | | | | |
|--------------------|------|------|------|---|---|---|---|
| Primary flue (m) | 8 | 8 | 5 | 4 | 3 | 2 | 1 |
| Secondary flue (m) | 6 | 6 | 3 | 6 | 6 | 6 | 6 |

- **Twin Flueing Kit** (up to a maximum of 46m combined total flue and airducts)
- **Remote User Controls Kit**
- **Boiler Stand-off Kit**
- **Siphon Kit**
- **Valve Cover Kit**

SAFETY

Current Gas Safety (installation and use) regulations or rules in force:

The appliance is suitable only for installation in GB and IE and should be installed in accordance with the rules in force.

In GB, the installation must be carried out by a CORGI Registered Installer. It must be carried out in accordance with the relevant requirements of the:

- Gas Safety (Installation and Use) Regulations
- The appropriate Building Regulations either The Building Regulations, The Building Regulations (Scotland), Building Regulations (northern Ireland).
- The Water Fittings Regulations or Water byelaws in Scotland.
- The Current I.E.E. Wiring Regulations.

Where no specific instructions are given, reference should be made to the relevant British Standard Code of Practice.

In IE, the installation must be carried out by a Competent Person and installed in accordance with the current edition of I.S.813 "Domestic Gas Installations", the current Building Regulations and reference should be made to the current ETCI rules for electrical installation.

Detailed recommendations are contained in the following British Standard Codes of Practice:

BS. 5440:1 Flues (for gas appliances of rated input not exceeding 70 kW).

BS. 5440:2 Ventilation (for gas appliances of rated input not exceeding 70 kW).

BS. 5449 Forced circulation hot water systems.

BS. 5546 Installation of gas hot water supplies for domestic purposes (2nd Family Gases)

BS. 6798 Installation of gas fired hot water boilers of rated input not exceeding 70 kW.

BS. 6891 Low pressure installation pipes.

Health & Safety Document No. 635.

The Electricity at Work Regulations, 1989.

The manufacturer's notes must NOT be taken, in any way, as overriding statutory obligations.

IMPORTANT. These appliances are CE certificated for safety and performance. It is, therefore, important that no external control devices, e.g. flue dampers, economisers etc., are directly connected to these appliances unless covered by these Installation and Servicing Instructions or as otherwise recommended by **Caradon Ideal Limited** in writing. If in doubt please enquire.

Any direct connection of a control device not approved by **Caradon Ideal Limited** could invalidate the certification and the normal appliance warranty. It could also infringe the Gas Safety Regulations and the above regulations.

SAFE HANDLING OF SUBSTANCES

Care should be taken when handling the boiler insulation panels, which can cause irritation to the skin. No asbestos, mercury or CFCs are included in any part of the boiler or its manufacture.

LOCATION OF BOILER

The boiler must be installed on a flat and vertical wall, capable of adequately supporting the weight of the boiler and any ancillary equipment.

The boiler may be fitted on a combustible wall and insulation between the wall and the boiler is not necessary, unless required by the local authority.

For electrical safety reasons there must be no access available from the back of the boiler.

The boiler must not be fitted outside.

Timber Framed Buildings

If the boiler is to be fitted in a timber framed building it should be fitted in accordance with the Institute of Gas Engineering document IGE/UP/7:1998.

Bathroom Installations

This appliance is rated **IP20**.

The boiler may be installed in any room or internal space, although particular attention is drawn to the requirements of the current IEE (BS.7671) Wiring Regulations and, in Scotland, the electrical provisions of the building regulations applicable in Scotland, with respect to the installation of the boiler in a room or internal space containing a bath or shower. For IE reference should be made to the current ETCI rules for electrical installations and I.S. 813:2002.

If the appliance is to be installed in a room containing a bath or shower then, providing water jets are not going to be used for cleaning purposes (as in communal baths/showers), the appliance can be installed in Zone 3, as detailed in BS.7671.

GENERAL

Compartment Installations

A compartment used to enclose the boiler should be designed and constructed specially for this purpose.

An existing cupboard or compartment may be used, provided that it is modified for the purpose.

In both cases, details of essential features of cupboard / compartment design, including airing cupboard installation, are to conform to the following:

- BS 6798 (No cupboard ventilation is required - see 'Air Supply' for details).
- The position selected for installation MUST allow adequate space for servicing in front of the boiler.
- For the minimum clearances required for safety and subsequent service, see the wall mounting template and Frame 2. In addition, sufficient space may be required to allow lifting access to the wall mounting plate.

GAS SUPPLY

The local gas supplier should be consulted, at the installation planning stage, in order to establish the availability of an adequate supply of gas. An existing service pipe must NOT be used without prior consultation with the local gas supplier.

The boiler MUST be installed on a gas supply with a governed meter only.

A gas meter can only be connected by the local gas supplier or by a CORGI registered engineer. In IE by a competent person.

An existing meter should be checked, preferably by the gas supplier, to ensure that the meter is adequate to deal with the rate of gas supply required.

N.B. The principle of the 1:1 gas valve ensures that the **isar range** is able to deliver its full output at inlet pressures well below those required by BS. 6891.

IMPORTANT.

Installation pipes must be fitted in accordance with BS.6891. In IE refer to IS.813:2002. Pipework from the meter to the boiler MUST be of an adequate size, i.e. no longer than 20m and not less than 15mm O.D.

| Terminal Position | Minimum Spacing |
|--|-----------------|
| 1. Directly below or alongside an opening window, air brick or other ventilation opening | 300 mm (12") |
| 2. Below guttering, drain pipes or soil pipes | 75 mm (3") |
| 3. Below eaves | 200 mm (8") |
| 4. Below balconies or a car port roof | 200 mm (8") |
| 5. From vertical drain pipes or soil pipes | 150 mm (6") |
| 6. From an internal or external corner or to a boundry along side the terminal. | 300 mm (12") |
| 7. Above adjacent ground, roof or balcony level | 300 mm (12") |
| 8. From a surface or a boundry facing the terminal | 600 mm (24") |
| 9. From a terminal facing a terminal | 1200 mm (48") |
| 10. From an opening in a car port (e.g. door or window) into dwelling | 1200 mm (48") |
| 11. Vertically from a terminal on the same wall | 1500 mm (60") |
| 12. Horizontally from a terminal on the wall | 300 mm (12") |

The complete installation MUST be tested for gas soundness and purged as described in the above code.

FLUE INSTALLATION

Plumbing will occur at the terminal so terminal positions where this could cause a nuisance should be avoided.

The flue must be installed in accordance with the recommendations of BS. 5440-1: 2000.

In IE refer to I.S. 813:2002.

The following notes are intended for general guidance:

1. The boiler MUST be installed so that the terminal is exposed to external air.
2. It is important that the position of the terminal allows the free passage of air across it at all times.
3. Minimum acceptable spacing from the terminal to obstructions and ventilation openings are specified in Table 4.
4. Where the lowest part of the terminal is fitted less than 2m (6'6") above a balcony, above ground or above a flat roof to which people have access then the terminal MUST be protected by a purpose designed guard.

Terminal guards are available from boiler suppliers. (Ask for TFC flue guard model no. K6 - round, plastic coated). In case of difficulty contact:

Grasslin (UK) Ltd. Tel. + 44 (0) 01732 359 888
 Tower House, Vale Rise Fax. + 44 (0) 01732 354 445
 Tonbridge. Kent TN9 1TB www.tfc-group.co.uk

Ensure that the guard is fitted centrally.

5. The flue assembly shall be so placed or shielded as to prevent ignition or damage to any part of any building.
6. The air inlet/products outlet duct and the terminal of the boiler MUST NOT be closer than 25mm (1") to combustible material. Detailed recommendations on the protection of combustible material are given in BS. 5440-1:2000.

IMPORTANT. It is absolutely essential to ensure, in practice, that products of combustion discharging from the terminal cannot re-enter the building or any other adjacent building through ventilators, windows, doors, other sources of natural air infiltration, or forced ventilation / air conditioning.

If this should occur the appliance MUST be turned OFF, labelled as 'unsafe' until corrective action can be taken.

TERMINAL

The terminal assembly can be adapted to accommodate various wall thicknesses. Refer to Frame 12 .

AIR SUPPLY

It is NOT necessary to have a purpose-provided air vent in the room or internal space in which the boiler is installed. Neither is it necessary to ventilate a cupboard or compartment in which the boiler is installed, due to the low surface temperatures of the boiler casing during operation; therefore the requirements of BS 6798, Clause 12, and BS 5440:2 may be disregarded.

WATER CIRCULATION SYSTEM

IMPORTANT.

A minimum length of 1 metre of copper pipe MUST be fitted to both flow and return connections from the boiler before connection to any plastic piping.

The central heating system should be in accordance with BS.6798 and, in addition, for smallbore and microbore systems, BS.5449.

WATER TREATMENT - see Frame 6

GENERAL

2 BOILER DIMENSIONS, SERVICES & CLEARANCES

all dimensions in mm (in)

The boiler connections are made on the boiler piping frame. Refer to Frames 24-26.

The following minimum clearances must be maintained for operation and servicing.

Additional space will be required for installation, depending upon site conditions.

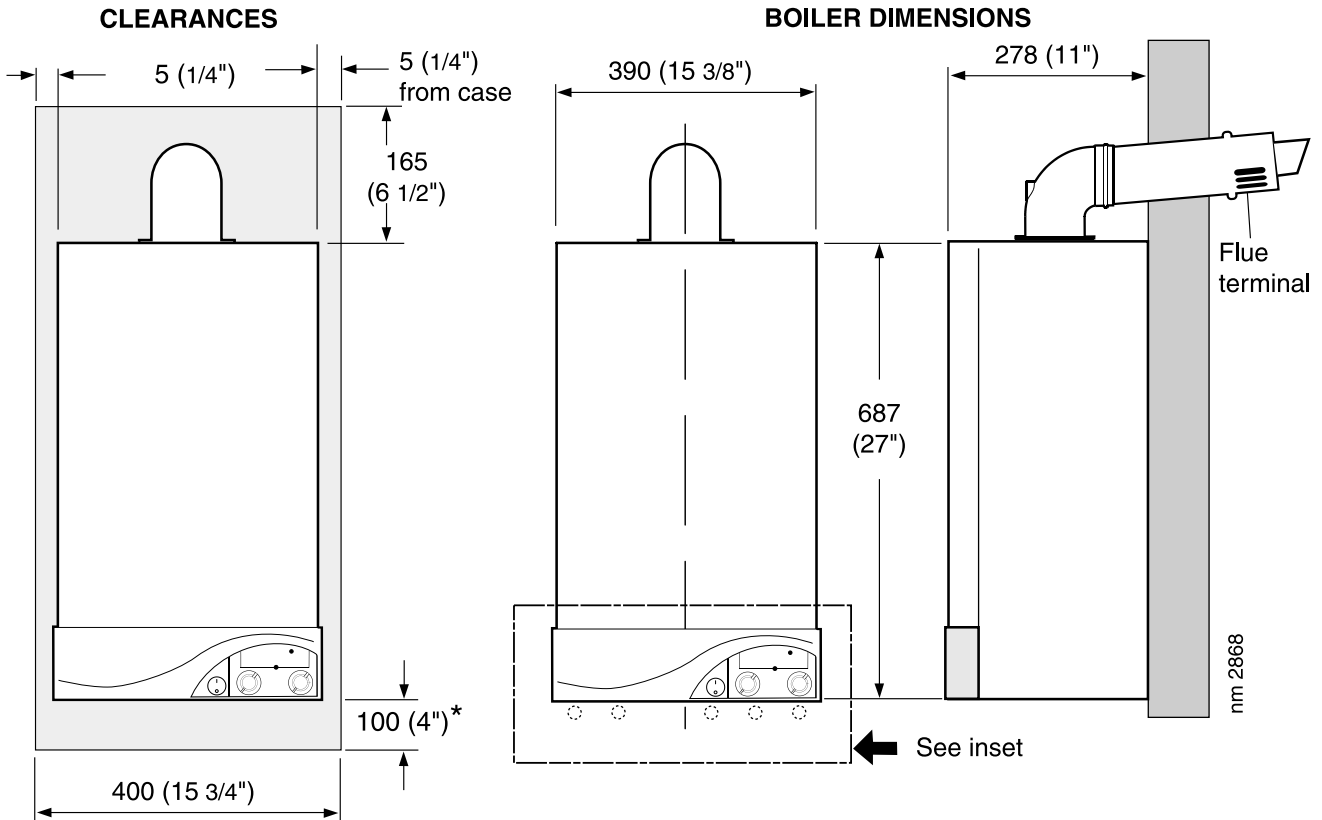
Side and Rear Flue

a. Provided that the flue hole is cut accurately, e.g. with a core drill, the flue can be installed from inside the building where wall thicknesses do not exceed 600mm (24").

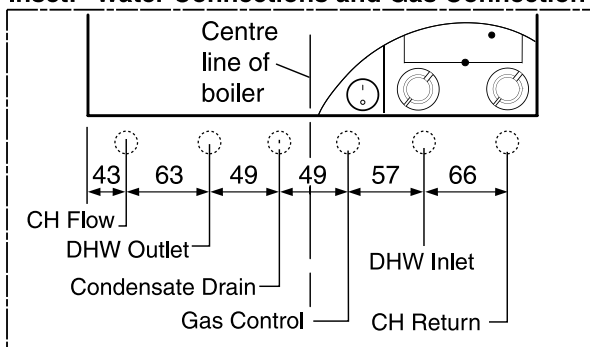
Where the space into which the boiler is going to be installed is less than the length of flue required the flue must be fitted from the outside.

Installation from inside ONLY

b. If a core boring tool is to be used inside the building the space in which the boiler is to be installed must be at least wide enough to accommodate the tool.



Inset: Water Connections and Gas Connection



Front clearance

The minimum front clearance when built in to a cupboard is 5mm (1/4") from the cupboard door but 450mm (17 3/4") overall clearance is still required, with the cupboard door open, to allow for servicing.

N.B. The boiler will not fit into a standard depth wall unit. In order for it to do so the plastic fascia should be removed. See Frame 37.

* Bottom clearance

Bottom clearance after installation can be reduced to 5mm. However, 100mm must be available for servicing.

| SIDE FLUE ONLY | | | |
|--|-------|-------|---|
| Horizontal length of flue from centre line of boiler to outside wall | | | Top clearance required (MIN.) Dim. A |
| HE24 | HE30 | HE35 | |
| 0.5 m | 0.5 m | 0.5 m | 160 mm (6 5/16") |
| 1.0 m | 1.0 m | 1.0 m | 170 mm (6 11/16) |
| 1.5 m | 1.5 m | 1.5 m | 185 mm (7 1/4") |
| 1.5 m | 1.5 m | 1.5 m | 200 mm (7 7/8") |
| 2.5 m | 2.5 m | 2.5 m | 210 mm (8 1/4") |
| 3.0 m | 3.0 m | 3.0 m | 225 mm (8 7/8") |
| 3.5 m | 3.5 m | N/A | 250 mm (9 7/8") |
| 4.0 m | 4.0 m | N/A | 260 mm (10 1/4") |
| 4.5 m | 4.5 m | N/A | 265 mm (10 7/16") |
| 5.0 m | 5.0 m | N/A | 275 mm (10 13/16") |
| 5.5 m | 5.5 m | N/A | 290 mm (11 3/8") |
| 6.0 m | 6.0 m | N/A | 300 mm (11 13/16") |

| REAR FLUE ONLY | |
|---|--|
| MIN. Top clearance required = 145 mm (5 3/4") | |

GENERAL

Thermostatic Radiator Valves (TRV)

Caradon Ideal Limited recommend that heating systems utilising full thermostatic radiator valve control of temperature in individual rooms should also be fitted with a room thermostat controlling the temperature in a space served by radiators not fitted with such a valve as stated in BS. 5449.

When thermostatic radiator valves are used, the space heating temperature control over a living area having a heating requirement of at least 0.9kW (3000Btu/h) of the boiler heat output should be achieved using a room thermostat whilst other rooms are individually controlled by thermostatic radiator valves. A higher proportion of TRVs may be used, provided that a bypass between the boiler flow and return is fitted, to ensure adequate flow when all TRVs are closed.

For further information refer to the 'Good Practice Guide 143', a publication of the Energy Efficiency Office, available from the Building Research Establishment, Garston, Watford WD2 7JR. Tel: + 44 (0) 01923 664258.

Electrical Supply

WARNING.

This appliance must be earthed. Wiring external to the appliance **MUST** be in accordance with the current I.E.E. (BS.7671) Wiring Regulations and any local regulations which apply. For IE reference should be made to the current ETCI rules for electrical installations.

The point of connection to the mains should be readily accessible and adjacent to the boiler.

CONDENSATE DRAIN Refer to Frames 28 & 47.

A condensate drain is provided on the boiler. This drain must be connected to a drainage point on site. All pipework and fittings in the condensate drainage system **MUST** be made of plastic - *no other materials may be used.*

IMPORTANT.

Any external runs must be insulated

The drain outlet on the boiler is standard 21.5mm (3/4") overflow pipe.

3 SYSTEM REQUIREMENTS - Central Heating

Notes

- a. *The method of filling, refilling, topping up or flushing sealed primary hot water circuits from the mains via a temporary hose connection is only allowed if acceptable to the local water authority.*
- b. *Antifreeze fluid, corrosion and scale inhibitor fluids suitable for use with boilers having aluminium heat exchangers may be used in the central heating system.*
Advice should be sought from a local water treatment company.

General

1. The installation must comply with all relevant national and local regulations.
2. The installation should be designed to work with flow temperatures of up to 82 °C.
3. All components of the system must be suitable for a working pressure of 3 bar and temperature of 110 °C. Extra care should be taken in making all connections so that the risk of leakage is minimised.

The following components are incorporated within the appliance:

- a. Circulating pump.
 - b. Safety valve, with a non-adjustable preset lift pressure of 3 bar.
 - c. Pressure gauge, covering a range of 0 to 6 bar.
 - d. An 8-litre expansion vessel, with an initial charge pressure of 0.75 bar.
4. **'Make-up' Water.** Provision must be made for replacing water loss from the system, either :
 - a. From a manually filled 'make-up' vessel with a readily visible water level. The vessel should be mounted at least 150mm above the highest point of the system and be connected through a non-return valve to the system, fitted at least 150mm below the 'make-up' vessel on the return side of the radiators.

| | | | |
|---|-----|---|-------|
| Safety valve setting | bar | 3.0 | |
| Vessel charge pressure | bar | 0.5 to 0.75 | |
| System pre-charge pressure | bar | None | 1.0 |
| System volume (litres) | | Expansion vessel volume (litres) | |
| 25 | | 1.6 | 1.8 |
| 50 | | 3.1 | 3.7 |
| 75 | | 4.7 | 5.5 |
| 100 | | 6.3 | 7.4 |
| 125 | | 7.8 | 9.2 |
| 150 | | 9.4 | 11.0 |
| 175 | | 10.9 | 12.9 |
| 190 | | 11.9 | 14.0 |
| 200 | | 12.5 | 14.7 |
| 250 | | 15.6 | 18.4 |
| 300 | | 18.8 | 22.1 |
| For other system volumes multiply by the factor across | | 0.063 | 0.074 |

or

- b. Where access to a 'make-up' vessel would be difficult, by pre-pressurisation of the system.

The maximum cold water capacity of the system should not exceed 143 litres, if not pressurized. However, if the system is to be pressurized, the efficiency of the expansion vessel will be reduced and a larger vessel (or smaller system volume) may be necessary. If the capacity of the vessel is not considered sufficient for this, or for any other reason,

GENERAL

4 SYSTEM REQUIREMENTS - CH (continued) and Hot Water

an additional vessel **MUST** be installed on the return to the boiler.

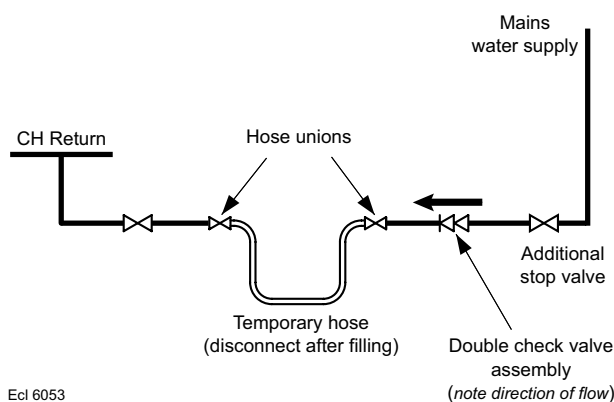
Guidance on vessel sizing is given in Frame 3.

5. Filling. The system may be filled by the following method:

- a. Through a temporary hose connection from a 'draw-off' tap, supplied from a service pipe under mains pressure. Where the mains pressure is excessive a pressure reducing valve must be used to facilitate filling. When installing the filling device it must be connected as shown below, to fully comply with the water regulations. This may involve the fitting of an additional WRAS approved isolator valve to the mains supply.
 - i. Thoroughly flush out the whole system with cold water.
 - ii. Fill and vent the system until the pressure gauge registers 1.5 bar and examine for leaks.
 - iii. Check the operation of the safety valve by raising the water pressure until the valve lifts. This should occur within 0.3 bar of the preset lift pressure.
 - iv. Release water from the system until the minimum system design pressure is reached; 1.0 bar if the system is to be pre-pressurised.

Water Flow Rate and Pressure Loss

| | | |
|---------------------------------|---------------------|------------------|
| Max CH Output | kW (Btu/h) | 23.4 (80 000) |
| Water flow rate | l/sec (gal/min) | 0.37 4.8 |
| Temperature Differential | °C (°F) | 15 (27) |
| Head available for system pump. | m.w.g. (ft.w.g.) | 2.3 7.5 |



DOMESTIC HOT WATER

- The domestic hot water service must be in accordance with BS 5546 and BS 6700.
- Refer to Table 1 for minimum and maximum working pressures.
- The boilers are suitable for connection to most types of washing machine and dishwasher appliances.
- When connecting to suitable showers, ensure that:
 - a. The cold inlet to the boiler is fitted with an approved anti-vacuum or syphon non-return valve.
 - b. Hot and cold water supplies to the shower are of equal pressure.

5. Hard Water Areas

Where the water hardness exceeds 200mg/litre, it is recommended that a proprietary scale reducing device is fitted into the boiler cold supply within the requirements of the local water company.

IMPORTANT

Provision **MUST** be made to accommodate the expansion of DHW contained within the appliance, if a non-return valve is fitted to the DHW inlet.

5 SYSTEM BALANCING

The boiler does not normally need a bypass but at least some radiators on the heating circuit, of load of at least 10% of the minimum boiler output, must be provided with twin lockshield valves so that this minimum heating load is always available. See note regarding thermostatic radiator valves on page 8.

Note. Systems incorporating zone valves which could completely cut off the flow through the system must also include a bypass.

BALANCING

- Set the programmer to ON.
Close the manual or thermostatic valves on all radiators, leaving the twin lockshield valves (on the radiators referred to above) in the OPEN position.

Turn up the room thermostat and adjust these lockshield valves to give boiler flow and return temperatures not more than 20 °C apart.

These valves should now be left as set.

- Open all manual or thermostatic radiator valves and adjust the lockshield valves on the remaining radiators, to give around 15 °C temperature drop at each radiator.
- Adjust the room thermostat and programmer to NORMAL settings.

INSTALLATION

6 WATER TREATMENT

CENTRAL HEATING

The isar range of boilers have an ALUMINIUM alloy heat exchanger.

IMPORTANT.

The application of any other treatment to this product may render the guarantee of Caradon Ideal Limited.

Caradon Ideal Limited recommend Water Treatment in accordance with the Benchmark Guidance Notes on Water Treatment in Central Heating Systems.

If water treatment is used Caradon Ideal Limited recommend only the use of FERNOX-COPAL or MB1, GE BETZ SENTINEL X100 or Salamander Corrosion Guard inhibitors and associated water treatment products, which must be used in accordance with the manufacturers' instructions.

Notes.

1. It is most important that the correct concentration of the water treatment products is maintained in accordance with the manufacturers' instructions.
2. If the boiler is installed in an existing system any unsuitable additives MUST be removed by thorough cleansing. BS 7593:1992 details the steps necessary to clean a domestic heating system.
3. In hard water areas, treatment to prevent lime scale may be necessary - however the use of artificially softened water is NOT permitted.
4. Under no circumstances should the boiler be fired before the system has been thoroughly flushed.

DOMESTIC HOT WATER

In hard water areas where main water can exceed 200ppm Total Hardness (as defined by BS 7593:1993 Table 2) a scale reducing device should be fitted into the boiler cold supply within the requirements of the local water company. The use of artificially softened water, however, is not permitted.

Caradon Ideal Limited recommend the use of Fernox Qantomat, GE Betz Sentinel Combiguard and Calmag CalPhos I scale reducing devices, which must be used in accordance with the manufacturers' instructions.

For further information contact:
Fernox Manufacturing Co. Ltd
Cookson Electronics
Forsyth Road
Sheerwater
Woking
Surrey GU21 5RZ
+44 (0) 1799 521133

GE Betz Ltd
Sentinal Division
Foundry Lane
Widnes
Cheshire WA8 8UD
Tel: +44 (0) 151 4245351

Salamander Engineering Ltd
Unit 24 Reddicap Trading Estate
Sutton Coldfield
West Midlands B75 7BU
Tel: +44 (0) 121 3780952

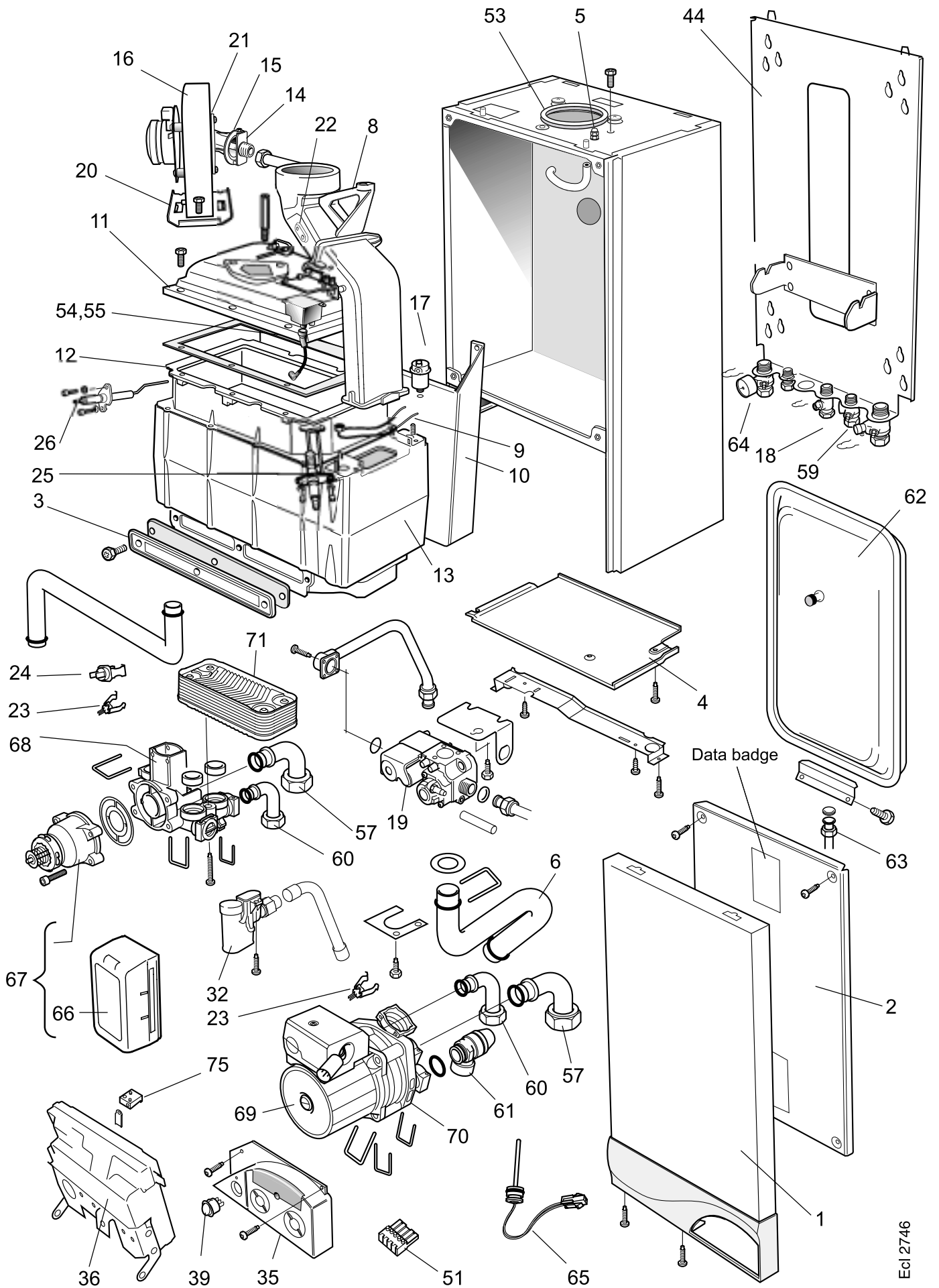
Calmag Ltd.
Tower View
Calton Road
Keighley
West Yorkshire BD21 4UT
Tel: +44 (0) 1535 210 320

7 BOILER ASSEMBLY - Exploded View Legend

- | | | |
|------------------------------------|--------------------------------------|-------------------------------|
| 1. Front casing panel. | 19. Gas control valve. | 55. Ignition lead. |
| 2. Boiler sealing panel. | 20. Fan bracket. | 57. CH stub pipe. |
| 3. Sump cover. | 21. Orifice plate. | 59. Flow restrictor. |
| 4. Bottom casing panel. | 22. Flue thermistor | 60. DHW inlet/outlet pipe. |
| 5. Flue sensing nipple. | 23. Control thermistor (flow/return) | 61. Pressure relief valve. |
| 6. Return pipe. | 24. Overheat thermostat. | 62. Expansion vessel. |
| 8. Flue manifold. | 25. Ignition electrode. | 63. Expansion vessel pipe. |
| 9. Flue manifold fixing. | 26. Flame detection electrode. | 64. Pressure gauge. |
| 10. Interpanel. | 32. Condensate 'S' trap. | 65. DHW thermistor. |
| 11. Burner. | 35. User control. | 66. Diverter valve head. |
| 12. Combustion chamber insulation. | 36. Primary controls (PCB). | 67. Diverter valve. |
| 13. Heat exchanger. | 39. Mains switch. | 68. Diverter valve manifold. |
| 14. Injector and housing. | 44. Piping frame. | 69. Pump. |
| 15. Venturi assembly. | 51. Mains connector. | 70. Pump manifold. |
| 16. Fan assembly. | 53. Turret gasket. | 71. DHW plate heat exchanger. |
| 17. Automatic air vent. | 54. Spark generator. | 75. Control box clamp. |
| 18. Gas service cock. | | |

INSTALLATION

8 BOILER ASSEMBLY - Exploded View



Ecl 2746

INSTALLATION

9 UNPACKING

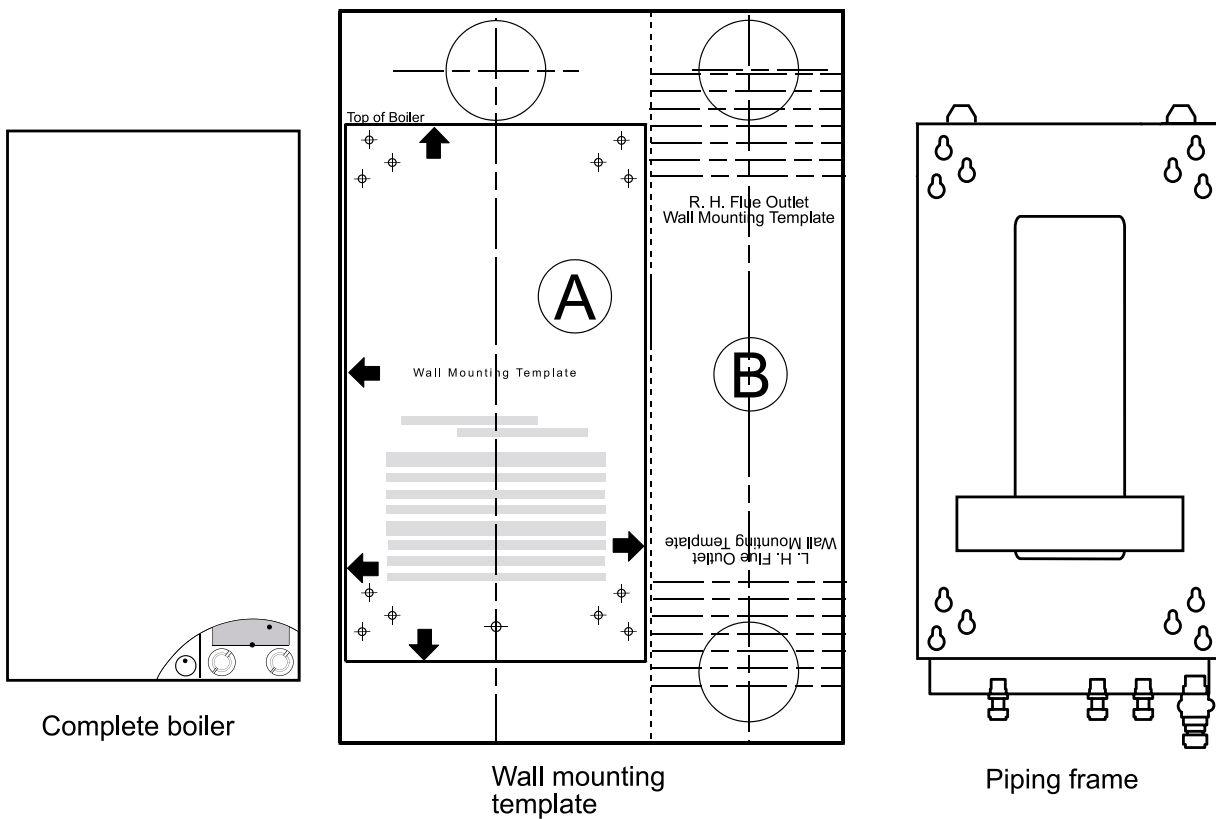
The boiler is supplied fully assembled in one Pack A, together with a standard flue assembly for lengths up to 650mm, rear or side flue outlet, in Pack B.

Unpack and check the contents.

Note. The casing front plate panel and pre-piping frame are packaged together within a carboard sleeved located within pack A. The casing front panel should not fitted until the boiler is mounted on the wall. Failure to comply with this requirement may result in damage to the fascia.

Pack A Contents

- Hardware Pack and fittings.
- These Installation & Servicing Instructions.
- The User's Instructions.
- The user Control (display unit).
- Benchmark log book.
- 2 year guarantee form.



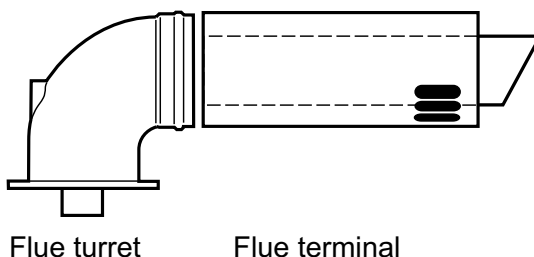
Ecl 2673

Hardware Pack & Fittings

- 50mm x No.14 wood screws - 4 off.
- Wall plugs (TP2B) - 4 off.
- Water treatment warning label.
- Turret clamp.
- M5 x 10 pozi Hex screw.
- 'S' Trap hose.
- Safety drain pipe nut and olive.
- CH Flow isolating valve c/w pressure gauge.
- 22mm fibre washers - 3 off.
- 15mm fibre washers - 3 off.
- Mains connector.
- Push-in caps - 6 off.

Pack B Contents

- Flue turret.
- Flue terminal.
- Flue support cutting aid.

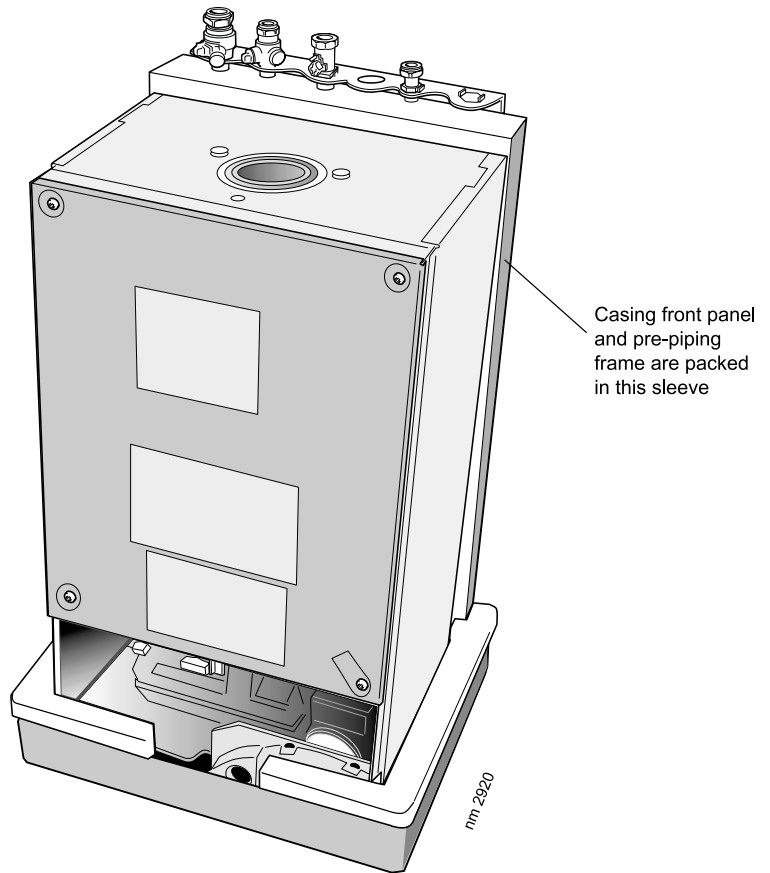


Ecl 2354

INSTALLATION

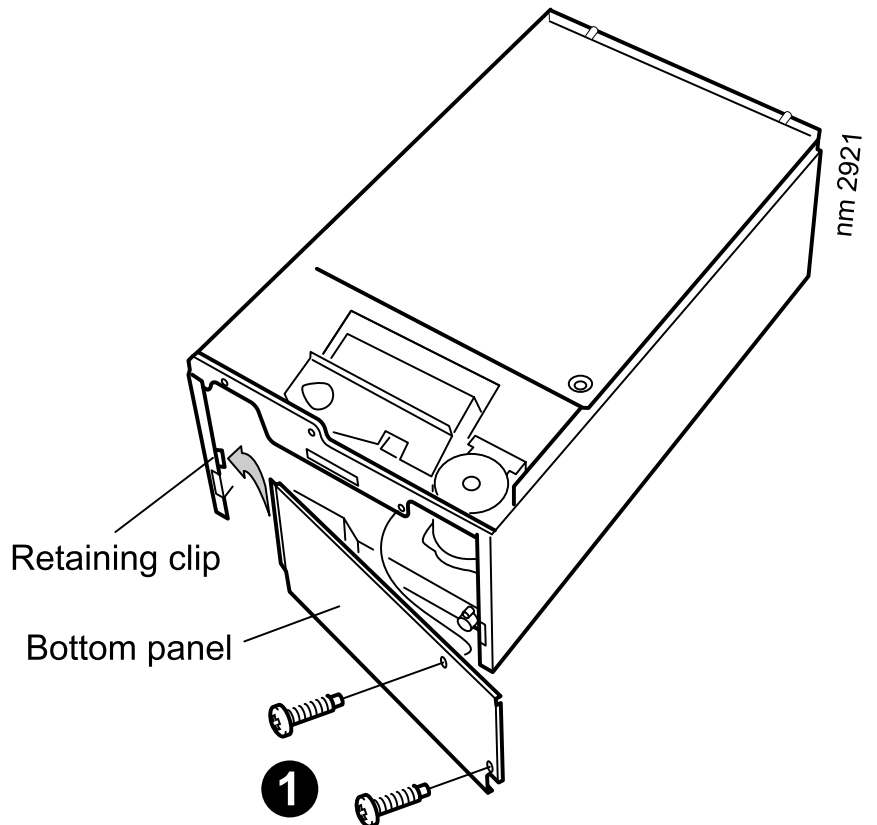
10 PACKAGING REMOVAL

1. Ensure the boiler is stood upright on a sound flat surface.
2. Carefully remove the strapping.
3. Fold back the top flaps to gain access to:
 - Wall mounting plate.
 - Instructions.
 - Hardware pack & fittings.
 - User control.
4. Remove the instructions and read thoroughly before unpacking the product.
5. When ready for installation lift off the cardboard carton.



11 BOTTOM PANEL REMOVAL

1. Remove the screws from the underside of the boiler.
2. Pull the RHS of the panel down, slide it to the right and withdraw.



INSTALLATION

12 DETERMINING THE FLUE LENGTH AND FLUE PACKS REQUIRED

IMPORTANT. The boiler MUST be installed in a vertical position

Dimension X - Wall thickness.

Dimension L - Wall thickness plus boiler spacing.

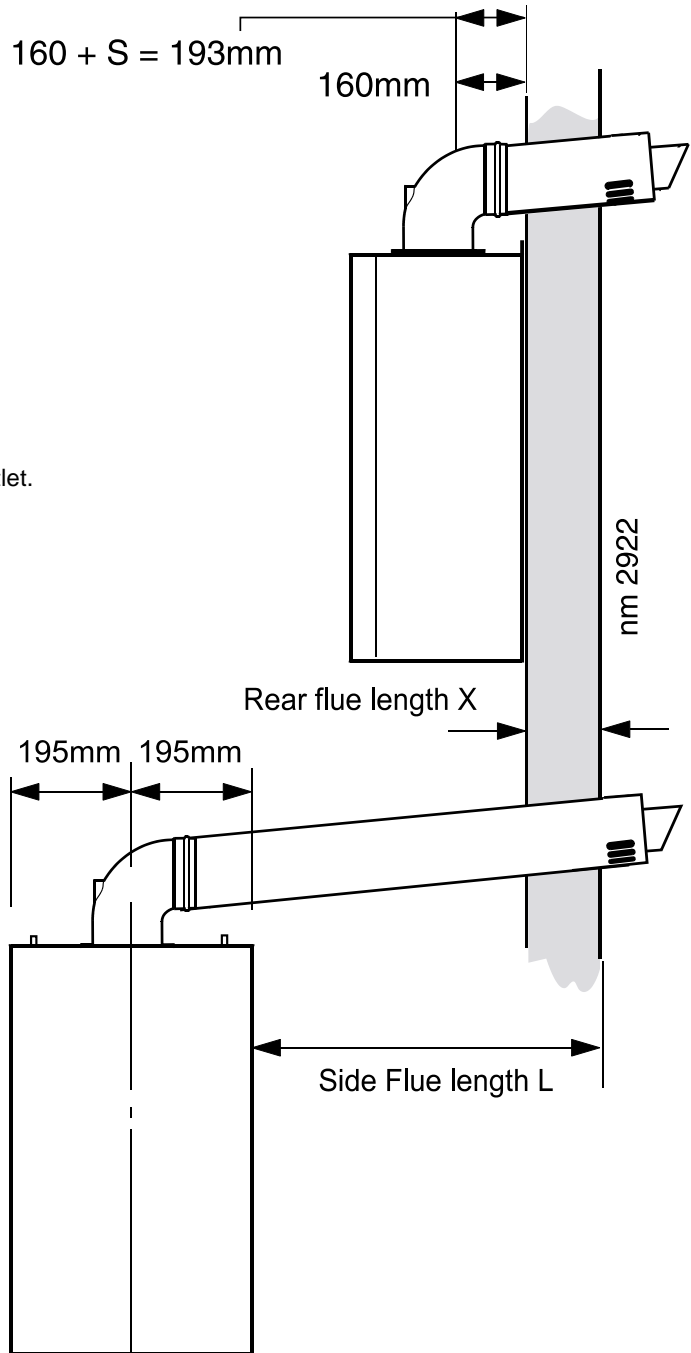
Dimension S - Stand-off frame depth = 33mm

FLUE KITS

Pack B - supplied as standard

Pack D - optional extension kit for side flue or rear flue outlet.

Refer to 'Flue Extension Ducts'



Notes.

1. The flue duct MUST be inclined at 1.5 degrees to the horizontal to allow condensate to drain back into the boiler and out through the condensate drain.
2. If the boiler is to be installed with upward piping routed behind the boiler then the optional stand-off kit should be used. Care must be taken when cutting the ducts and marking the wall to suit this condition.

| Total Flue length dimension | | Flue | |
|-----------------------------|----------------------|----------------------|--------------|
| Rear flue dim. X+160 | Side flue dim. L+195 | Extra packs required | Boiler size |
| Up to 650 mm | Up to 650 mm | none | HE24,30 & 35 |
| Up to 1600 mm | Up to 1600 mm | Pack D - 1 off | HE24,30 & 35 |
| Up to 2550 mm | Up to 2550 mm | Pack D - 2 off | HE24,30 & 35 |
| Up to 3500 mm | Up to 3500 mm | Pack D - 3 off | HE24 & 30 |
| Up to 4450 mm | Up to 4450 mm | Pack D - 4 off | HE24 & 30 |
| Up to 5400 mm | Up to 5400 mm | Pack D - 5 off | HE24 & 30 |
| Up to 6000 mm | Up to 6000 mm | Pack D - 6 off | HE24 & 30 |

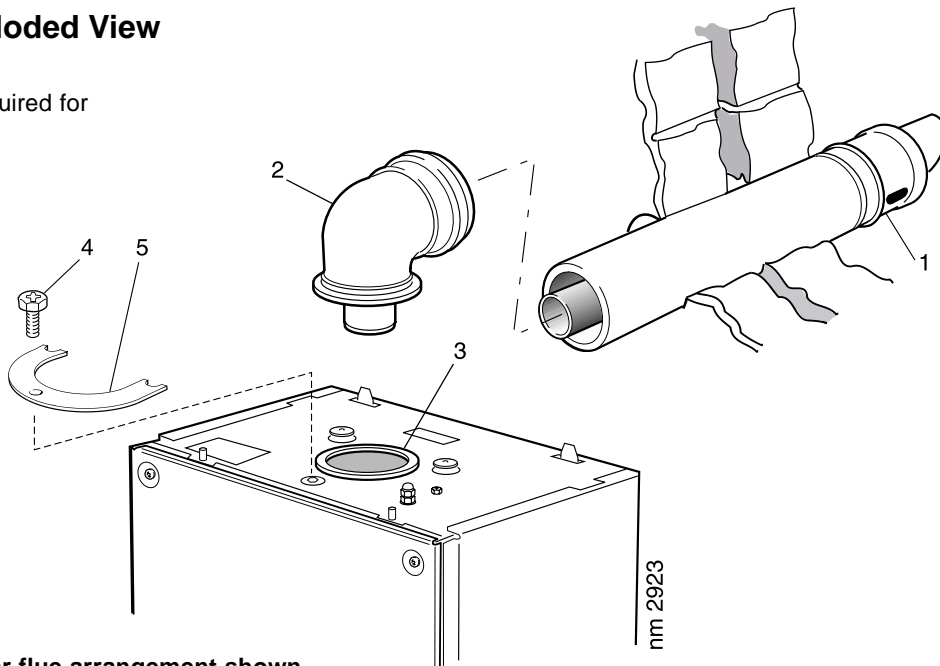
INSTALLATION

13 FLUE ASSEMBLY - Exploded View

An optional flue duct extension kit is required for wall thicknesses greater than :

Side 455mm (18").

Rear 490mm (19 1/4").



LEGEND

1. Duct assembly.
2. Flue turret.
3. Turret gasket.
4. M5 x 10 pozi screw.
5. Turret clamp.

Rear flue arrangement shown

14 WALL MOUNTING TEMPLATE

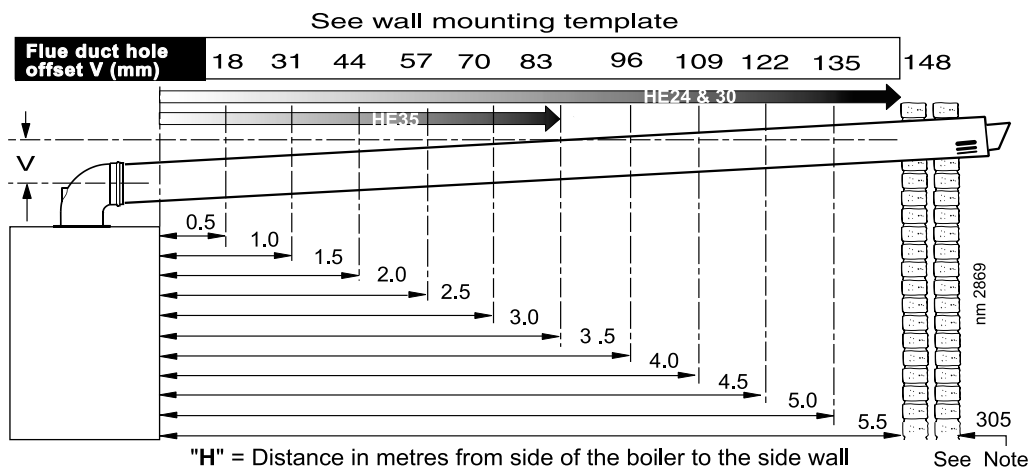
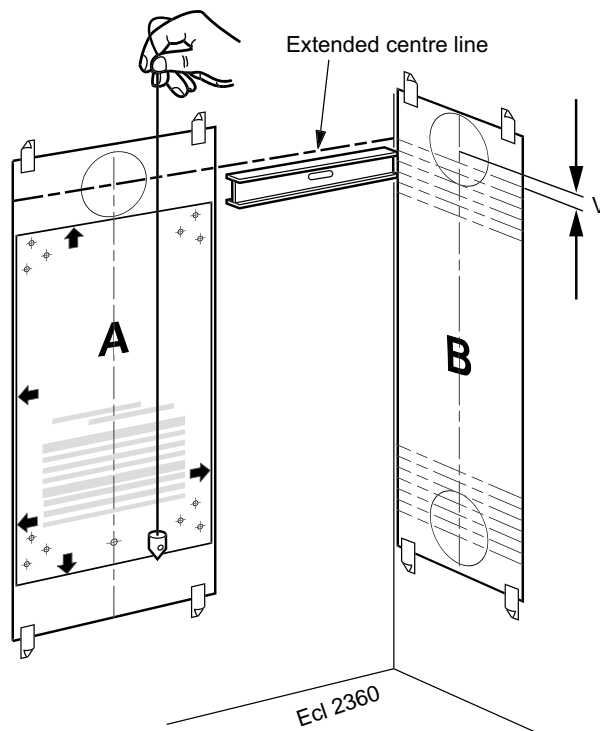
Note.

The template shows the positions of the fixing holes and the flue hole centres for standard installation and for using the stand-off kit. Care **MUST** be taken to ensure the correct holes are drilled.

1. Separate the templates.
2. Tape template **A** into the selected position.
3. Ensure squareness by hanging a plumbline as shown. If fitting a side flue extend the flue centre line onto the side wall and tape template **B** into the selected position.
4. Mark onto the wall the following:
 - a The piping frame screw positions (choose one from each group).
 - b. The position of the flue duct hole (see diagram below and template).

Note. Mark the centre of the hole as well as the circumference

5. Remove the template from the wall.



"H" = Distance in metres from side of the boiler to the side wall

Note. If wall thickness is greater than 305mm then dimension "H" must be reduced by the same amount and the offset may be adjusted accordingly.

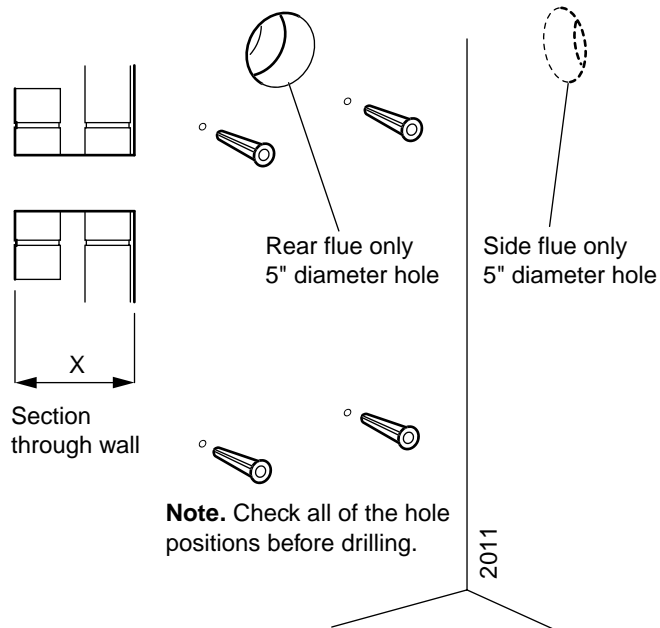
INSTALLATION

15 PREPARING THE WALL

IMPORTANT.

Ensure that, during the cutting operation, masonry falling outside of the building does not cause damage or personal injury.

1. Cut the flue hole (preferably with a 5" core boring tool), ensuring that the hole is square to the wall. Both wall faces immediately around the cut hole should be flat.
2. Drill 4 holes with a 7mm (1/4") masonry drill and insert the plastic plugs, provided, for the piping frame.
3. Locate 4 No.10 x 2" screws in the piping frame (one at each side, in any of the 3 holes provided at each side) and screw home.

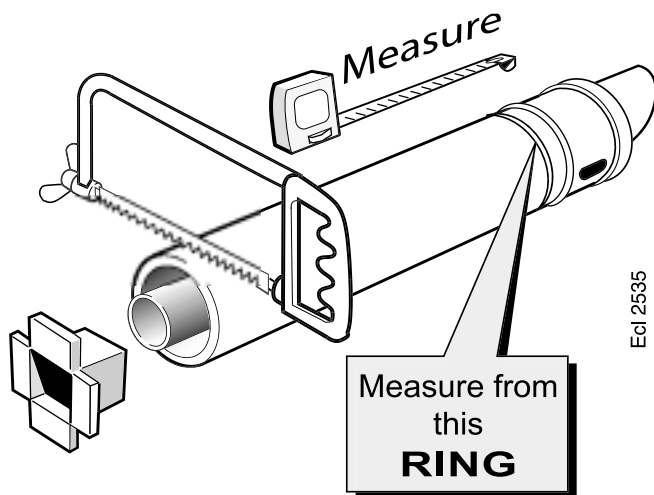


16 CUTTING THE FLUE - REAR Wall thicknesses of 114 to 490mm

Notes.

- a. If using the extension ducts go to Frame 18.
- b. If the stand-off frame is used it is essential add 33mm to 'X' the measured wall thickness when marking the flue (this will allow for the fitted frame).

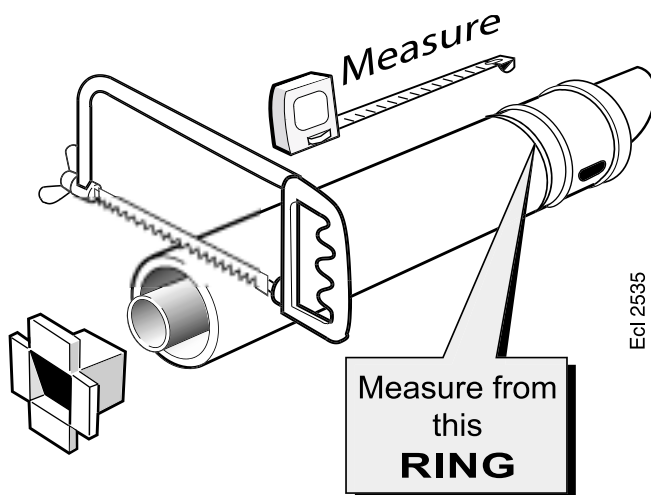
1. Measure and note wall thickness X. Refer to Frame 12.
2. Add 90mm (3 1/2") to dimension X and, measuring from the ring, cut the outer tube only.
3. To ensure the tube is cut square, mark the flue all the way around.
4. Cut the inner tube to a length 20mm (3/4") longer to aid engagement, using the cardboard support.



17 CUTTING THE FLUE - SIDE Wall thicknesses of 114 to 455mm

Note. If using the extension ducts go to Frame 18.

1. Measure and note side flue length L. Refer to Frame 12.
2. Add 125mm (5") to dimension L and, measuring from the ring, cut the outer tube only.
3. To ensure the tube is cut square, mark the flue all the way around.
4. Cut the inner tube to a length 20mm (3/4") longer to aid engagement, using the cardboard support.

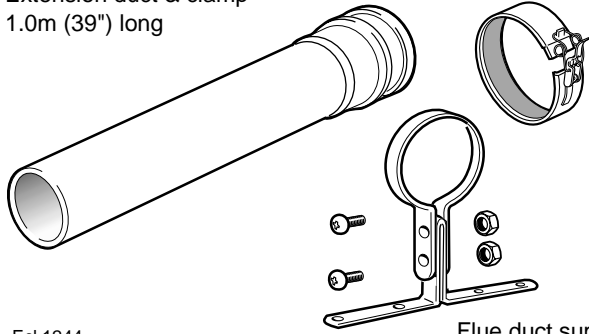


INSTALLATION

18 FLUE EXTENSION DUCTS - For flue lengths greater than 650mm

Pack D Flue extension duct kit contents

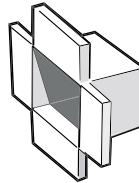
Extension duct & clamp
1.0m (39") long



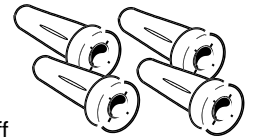
Ecl 1244

Flue duct support

Flue support cutting aid
(shown folded up)



Wall plugs - 4 off



No. 10 x2" wood screw - 4 off



19 FLUE EXTENSION DUCTS - continued

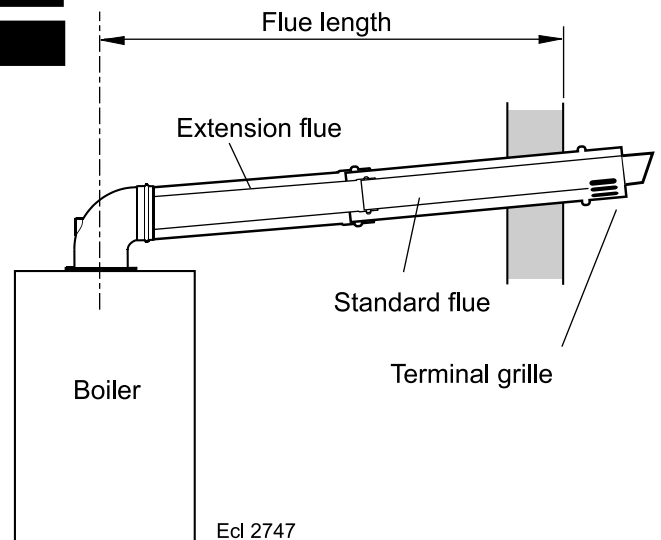
Use a maximum of 6m extended flue ONLY (HE24 & 30)

Use a maximum of 3m extended flue ONLY (HE35)

General arrangement

1. A **maximum** of 6 extension ducts for the HE24/ HE30 and a maximum of 3 extension ducts for the HE35 (one suitably cut) plus the standard flue duct may be used together.
2. Flue extensions of greater length than 1m (39") should be supported with the bracket provided, suitably adjusted. Refer to Frames 18 and 23.

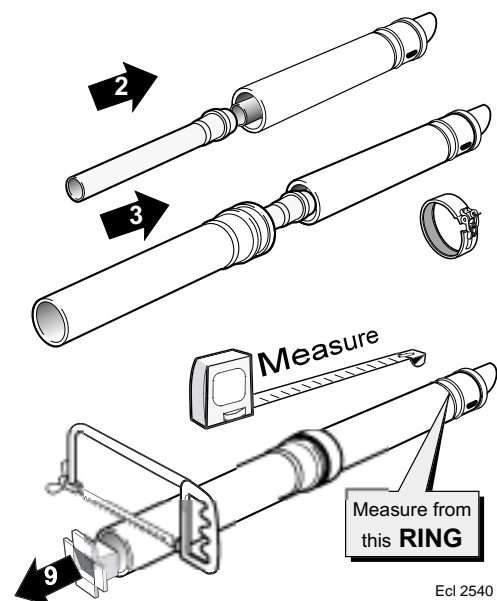
Note. Side flue shown



Ecl 2747

20 FITTING THE KIT

1. Remove the cardboard support aid from the flue and place safely to one side.
2. Fit the inner flue extension duct onto the inner flue duct.
3. Fit the outer flue extension duct onto the outer air duct.
4. Using the clamp provided clamp the flue lengths together.
5. Repeat steps 1-4 if a second flue extension is required.
6. Measure and mark the flue length required onto the flue, measuring from the ring near the terminal.
7. To ensure a square cut, mark the flue all the way around.
8. Cut to length using the cardboard support aid.
9. Remove the cardboard and deburr the metal edges.



Ecl 2540

INSTALLATION

21 FITTING THE PIPING FRAME (Rear Flue outlet shown)

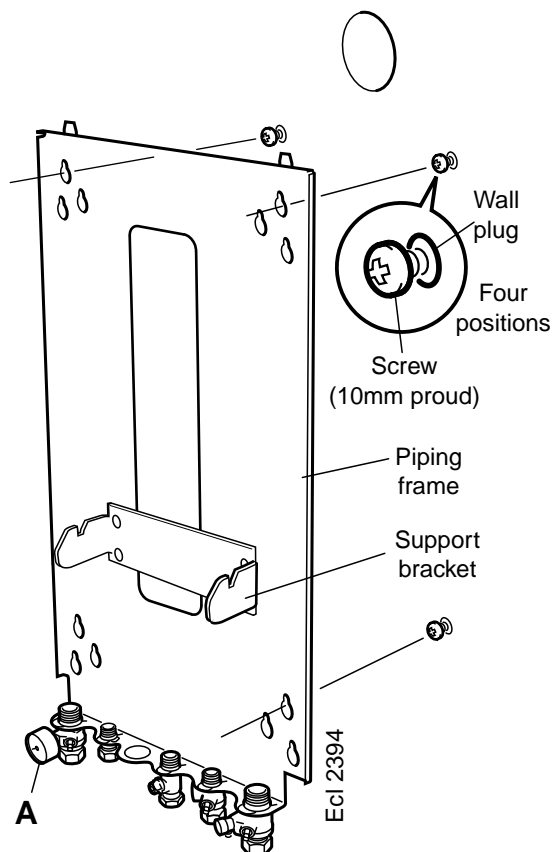
Note. The CH Flow isolating valve (A), c/w pressure gauge, is supplied separately in the Hardware Pack. Fit to the piping frame BEFORE mounting the boiler.

Fit the wall mounting frame either:

a. Directly to the wall

- Insert wall plugs.
- Put the screws into the wall plugs and leave 10mm proud
- Hang the frame onto the screws (take care to use the same hole position from each group as previously chosen with the wall template) and tighten up.
- Locate the support bracket on the piping frame.

or



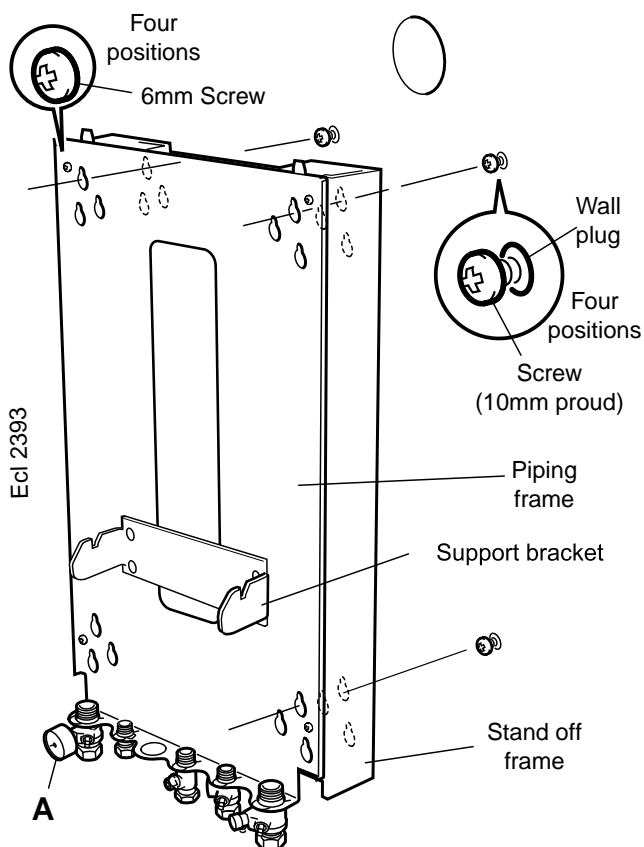
b. Use the stand-off frame

(To allow pipework to be taken upwards).

- Insert wall plugs.
- Put the screws into the wall plugs and leave 10mm proud.
- Hang the stand-off frame onto the screws and tighten up.
- Fasten the piping frame to the stand-off frame with the 6mm screws provided.
- Locate the support bracket on the piping frame.

Note.

If the clearances above and below the boiler are less than the length of the pipes it will be necessary to position the pipes behind the wall mounting plate BEFORE the plate is screwed to the wall.



Note.

Service connections may be made now, before mounting the boiler, if required. Refer to Frames 24-26.

INSTALLATION

22 CONDENSATE DRAIN

Refer also to the British Gas document: 'Guidance Notes for the Installation of Domestic Gas Condensing Boilers' (1989).

The condensate drain (provided in the h/ware pack) must be connected from the boiler 'S' trap to a drainage point, preferably within the building.

Ensure that the condensate trap is full of water before commissioning the boiler. Refer to Frame 23.

The routing of the drain must be made to allow a minimum fall of 1 in 20 away from the boiler, throughout its length.

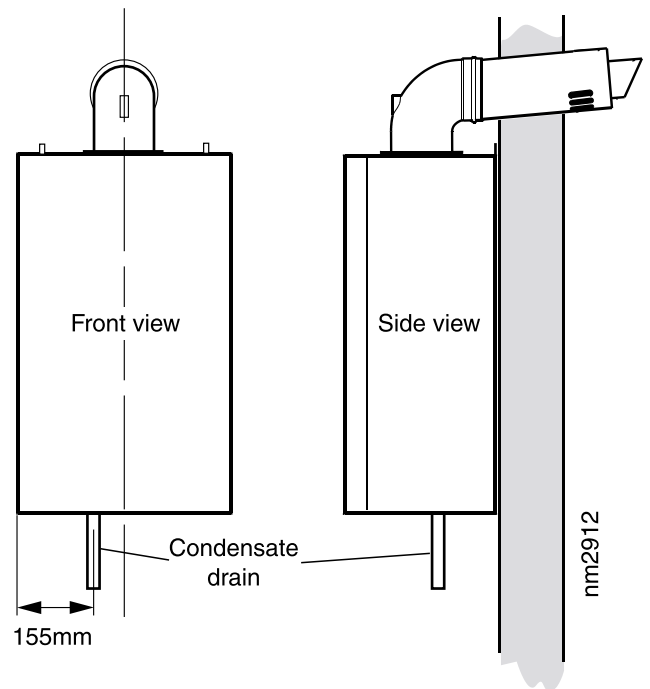
The drainage pipework must be arranged so that obstruction (e.g. through freezing) of external drainage pipe does not give rise to spillage within the dwelling.

IMPORTANT.

If excessive external pipework cannot be avoided an additional siphon kit and insulation are recommended to prevent possible freezing.

All pipework and fittings in the condensate drain system must be made of plastic. No other materials may be used.

The drain outlet on the boiler is standard 21.5mm overflow pipe. This size must not be reduced in any part of its length.

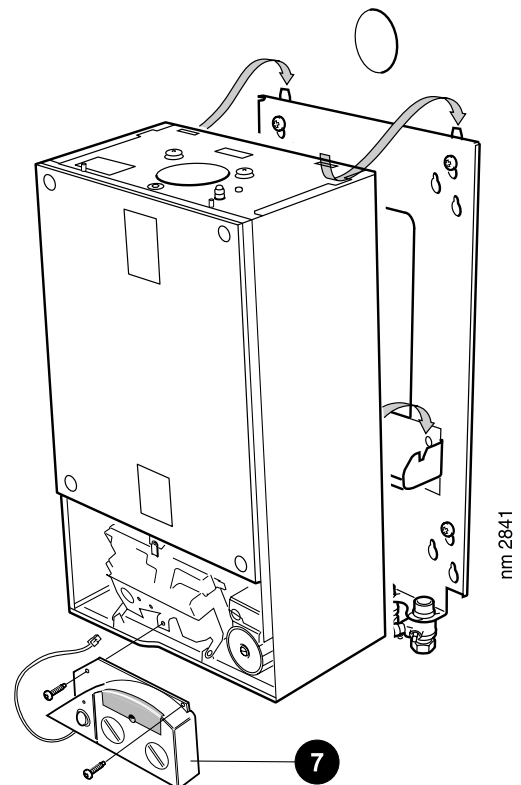


23 MOUNTING THE BOILER

IMPORTANT.

Before mounting the boiler on the wall fit the 'S' trap hose moulding/nut.

1. Ensure that the plastic plugs are removed from both the CH and DHW pipes before mounting. **N.B.** Some spillage of water may occur from the pipework when mounting the boiler to the frame.
2. Lift the boiler onto the wall mounting frame, locating it over the tabs at the top of the frame.
3. Lower the boiler into position, engaging it onto the support bracket.
Note. Ensure the condensate drain pipe is correctly positioned before continuing.
4. Using the fibre washers supplied in the hardware pack, engage and then tighten the 4 water unions.
5. Engage and tighten the gas union, ensuring that the rubber seal is in place. DO NOT overtighten.
6. Connect a pipe to the safety drain outlet using the nut and olive supplied in the boiler hardware pack.
7. Plug the user control (display unit, pack A) into the control box. Refer to Frame 66.
8. Screw the user control into position.



INSTALLATION

24 CONNECTING THE FLUE TO THE BOILER

Note. Before fitting the flue turret fill the condensate trap within the boiler by pouring a cupful of water into the flue outlet A. Take care to ensure that the water is only poured into the flue outlet, and does not spill into the boiler casing.

1. Insert the flue assembly through the prepared hole in the wall.

2. Locate the flue turret on the top of the boiler, ensuring that the turret gasket is in place. Check that the flue seal 'A' located in the top of the flue manifold is secure and giving an effective seal.

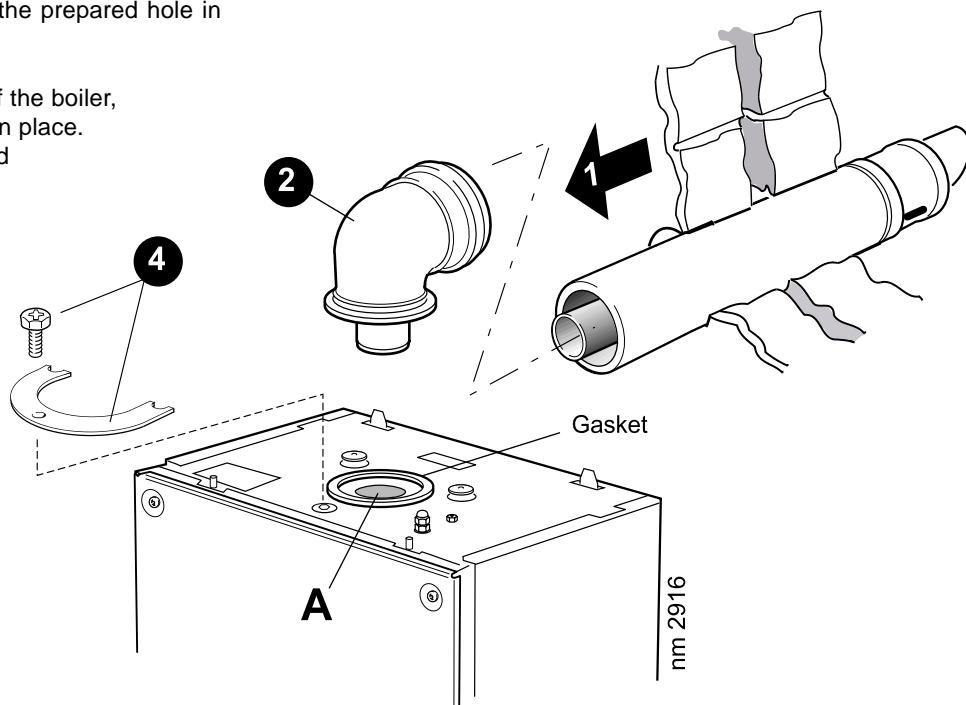
3. Locate the flue into the turret.

4. Secure the flue turret on top of the boiler by inserting the open ends of the turret clamp under the 2 studs and fixing it in the middle with the single M5 x 10mm pozi-hex screw provided.

5. Flues over 1 metre long.

Fix the flue support bracket to the wall, using the 4 wall plugs and wood screws.

NB. The space bracket will utilise one fixing hole only whilst used in conjunction with the stand-off option.

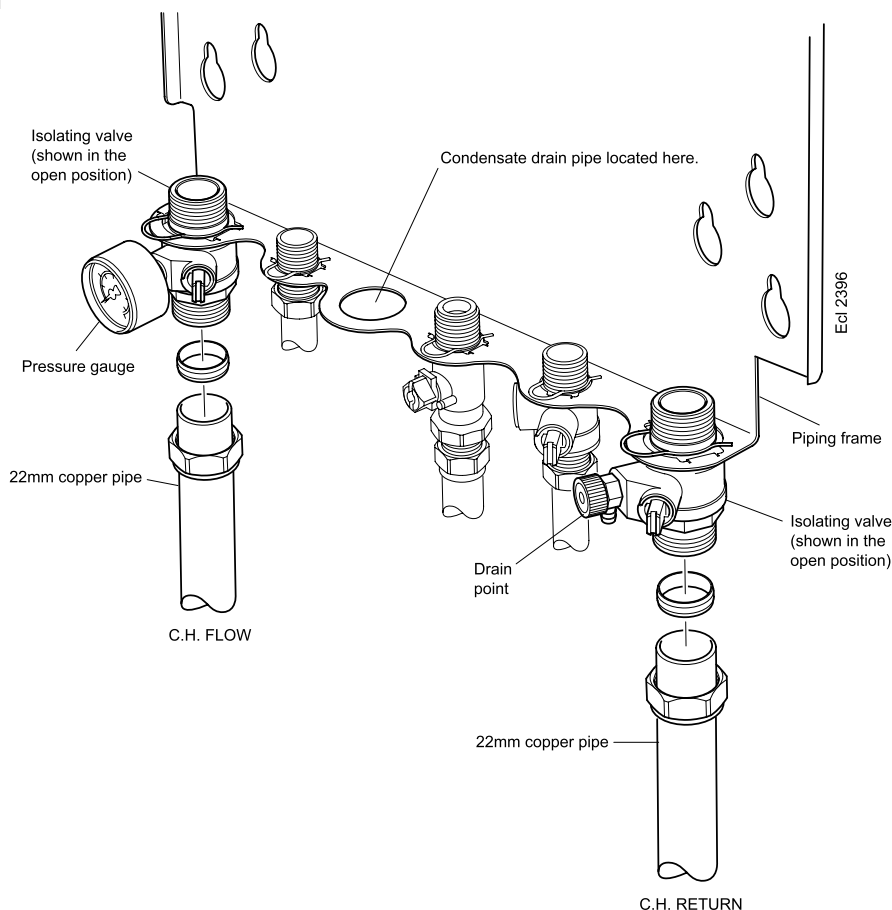


25 WATER CONNECTIONS - CH

Notes.

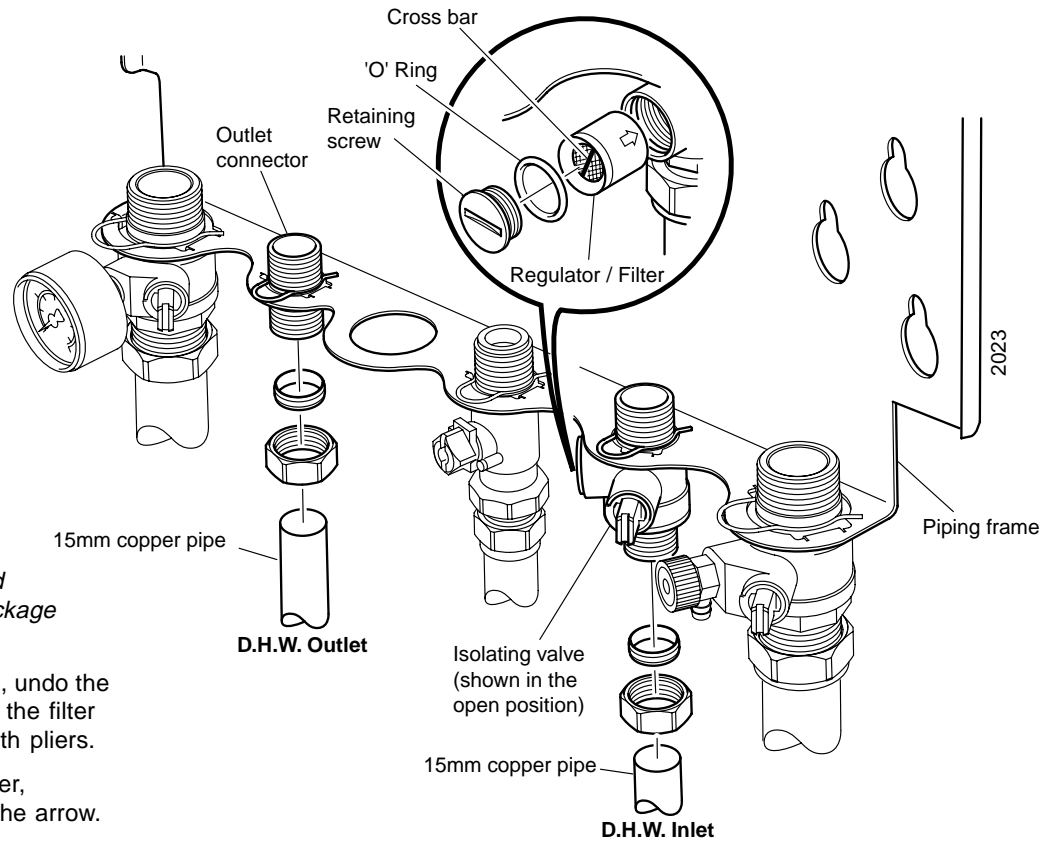
1. For heating loads in excess of 60,000 Btu/h use 28mm x 22mm connectors to connect the boiler flow and return pipes to 28mm system pipework.

2. Do not subject any of the isolating valves to heat as the seals may be damaged.



INSTALLATION

26 WATER CONNECTIONS - DHW



Note. The DHW inlet isolating valve incorporates a flow regulator / filter. It should be inspected to ensure no blockage is evident.

1. To remove, turn off the valve, undo the retaining screw and pull out the filter by grasping the crossbar with pliers.
2. Reassemble in reverse order, inserting in the direction of the arrow.

27 GAS CONNECTION

IMPORTANT. The gas service cock contains a non-metallic seal so must not be overheated when making capillary connections.

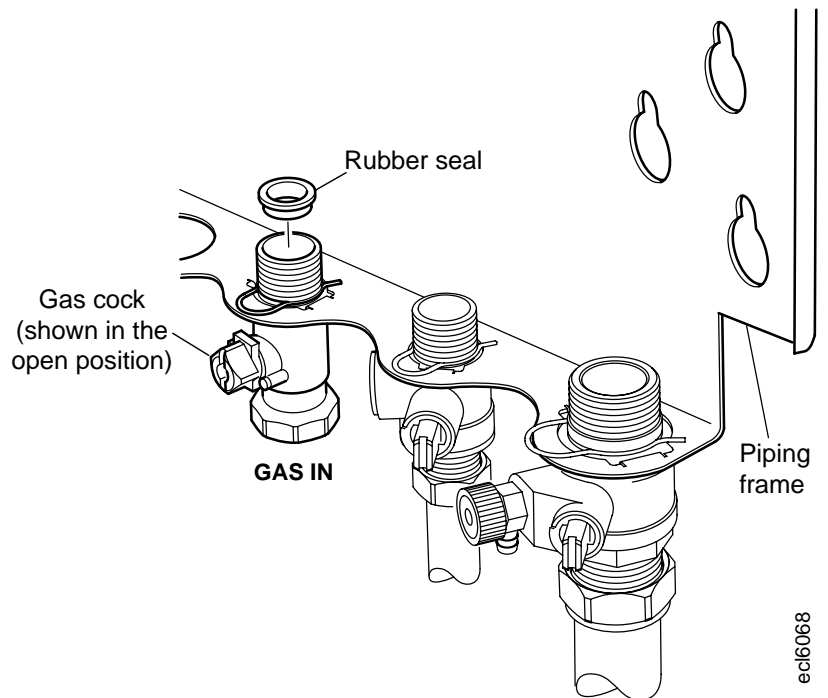
Refer to Frame 2 for details of the position of the gas connection.

The principle of the 1:1 gas valve ensures that the **isar range** is able to deliver its full output at inlet pressures well below those required by BS. 6891.

A boiler gas supply pipe length of 20m and not less than 15mm O.D. can be connected to the boiler via the gas service cock union.

Ensure that the gas supply pipe does not foul the boiler casing.

Refer to Frame 36 or 'Servicing' for details of the pressure test point position.



ec66068

INSTALLATION

28 SAFETY VALVE DRAIN

The safety valve is located at the bottom RHS of the boiler.

The discharge pipe should be positioned so that the discharge of water or steam cannot create a hazard to the occupants of the premises or damage the electrical components and wiring.

29 FILLING

Central Heating

1. Remove the sealing panel. Refer to Frames 42 & 43.
2. Swing the control box down into the servicing position. Refer to Frame 44.
3. Ensure that the CH isolating valves are open.
4. Fill and vent the system. Check for water soundness.

IMPORTANT - when filling:

- a. Remove the diverter valve actuator (refer to Frame 60) and depress the spindle several times during filling. Replace diverter valve actuator.

When filling, there may be a slight water leak from the vent therefore electrical connections should be protected.

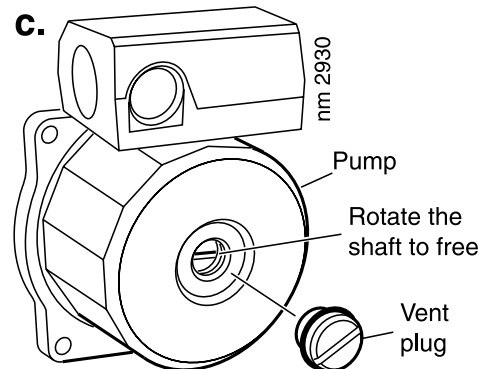
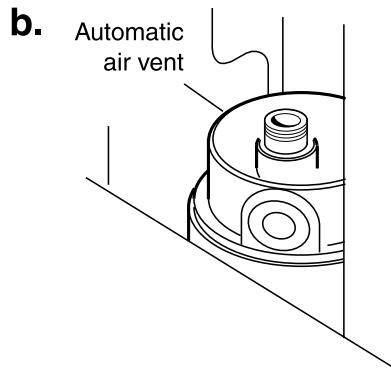
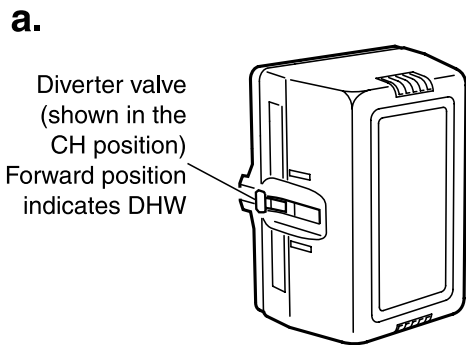
- c. Bleed any air from the pump and ensure that it is free to rotate.

- i. Remove the vent plug
- ii. Using a screwdriver, rotate the shaft several times
- iii. Replace the vent plug.

Note. Some slight water leakage will occur.

Domestic Hot Water

1. Fully open all DHW taps and ensure that water flows freely from them.
2. Close all taps.



Note. The domestic hot water flow rate is automatically regulated to a maximum:

- HE24 = 9.6 l/m (2.1 gpm)
- HE30 = 12.0 l/m (2.6 gpm)
- HE35 = 14.4 l/m (3.2 gpm)

30 ELECTRICAL CONNECTIONS

WARNING. This appliance MUST be earthed.

A mains supply of 230 V ~ 50 Hz is required.

The fuse rating should be 3A. All external controls and wiring must be suitable for mains voltage.

Wiring external to the boiler MUST be in accordance with the current I.E.E. (BS.7671) Wiring Regulations and any local regulations.

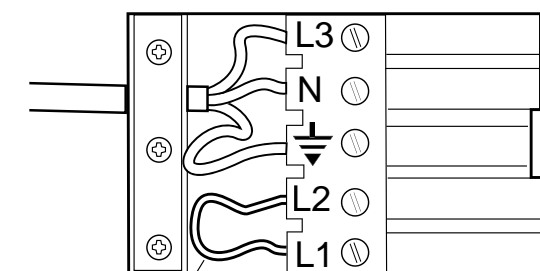
Wiring should be 3 core PVC insulated cable, not less than 0.75 mm² (24 x 0.2mm), and to BS 6500 Table 16. For IE reference should be made to the current ETCI rules for electrical installations.

Connection must be made in a way that allows complete isolation of the electrical supply such as a double pole switch having a 3mm (1/8") contact separation in both poles, or a plug and socket, serving only the boiler and system controls. The means of isolation must be accessible to the user after installation.

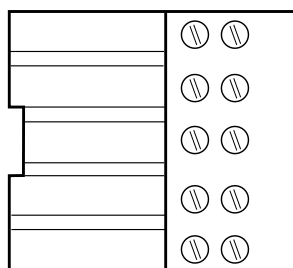
31 INTERNAL WIRING

A pictorial wiring diagram is shown in Frame 33.

1. Route the mains cable into the bottom rear centre of the boiler.
2. Wire the permanent live supply into the 5-way remote plug terminals, L3, N & \perp .
3. Wire any switched live supply into L2 or connect L1 and L2 via external control switching as shown in Frame 32. In either case remove the wire link fitted to L1 to L2.
4. Secure the mains lead with the cable clamp.
5. Connect the mains lead connector. Ensure it is fully located.



Remove link when connecting external programmer.



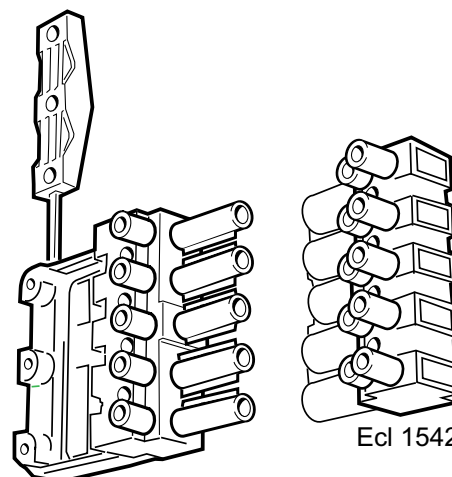
Ecl2367

Mains Connector
(supplied in hardware pack)

Socket
(fixed to boiler)

Note.

Ensure that the lengths of the current carrying conductors are shorter than the earth conductor so that if the cable slips in its anchorage the current carrying conductors become taut before the earth conductor.



Ecl 1542

32 EXTERNAL ELECTRICAL CONTROLS

Wiring External to the Boiler

The fuse rating should be 3A.

Wiring external to the boiler MUST be in accordance with the current I.E.E. (BS.7671) Wiring Regulations and any local regulations.

Room Thermostat

If the thermostat has a neutral connection, use it (it provides for more energy efficient operation by reducing switching temperature differentials).

Frost Protection

If parts of the pipework run outside the house or if the boiler will be left off for more than a day or so then a frost thermostat should be wired into the system.

This is usually done at the programmer, in which case the programmer selector switches are set to OFF and all the other controls MUST be left in the running position.

The frost thermostat should be sited in a cold place but where it can sense heat from the system.

Note. If the boiler is installed in a garage it may be necessary to fit a pipe thermostat, preferably on the return pipework.

Wiring should be as shown, with minimal disturbance to other wiring of the programmer.

Designation of the terminals will vary but the programmer and thermostat manufacturers' leaflets will give full details.

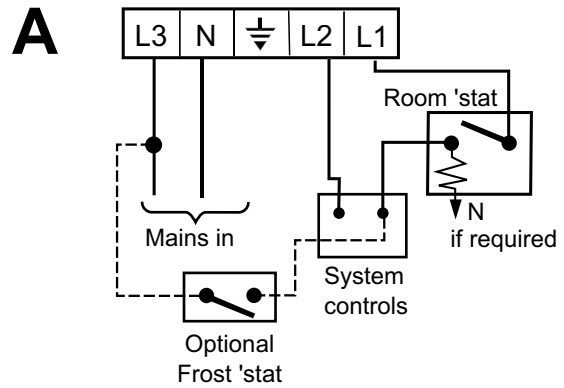
Diagram A

shows an application to boilers fitted with a room thermostat only.

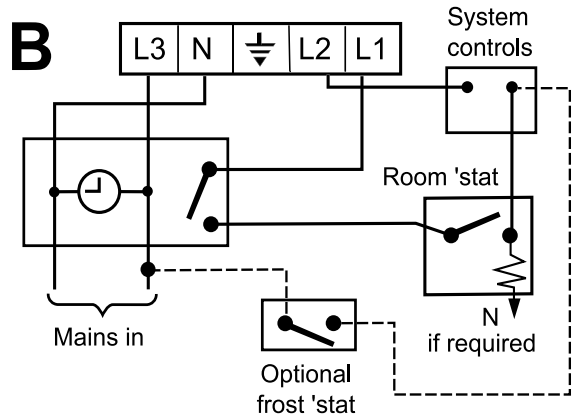
Diagrams B & C

show applications to boilers fitted with alternative time controls.

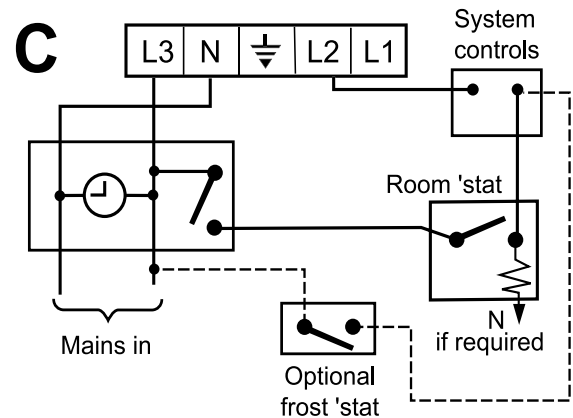
Earths are not shown for clarity but must never be omitted.



Ecl 6069



Ecl 6070

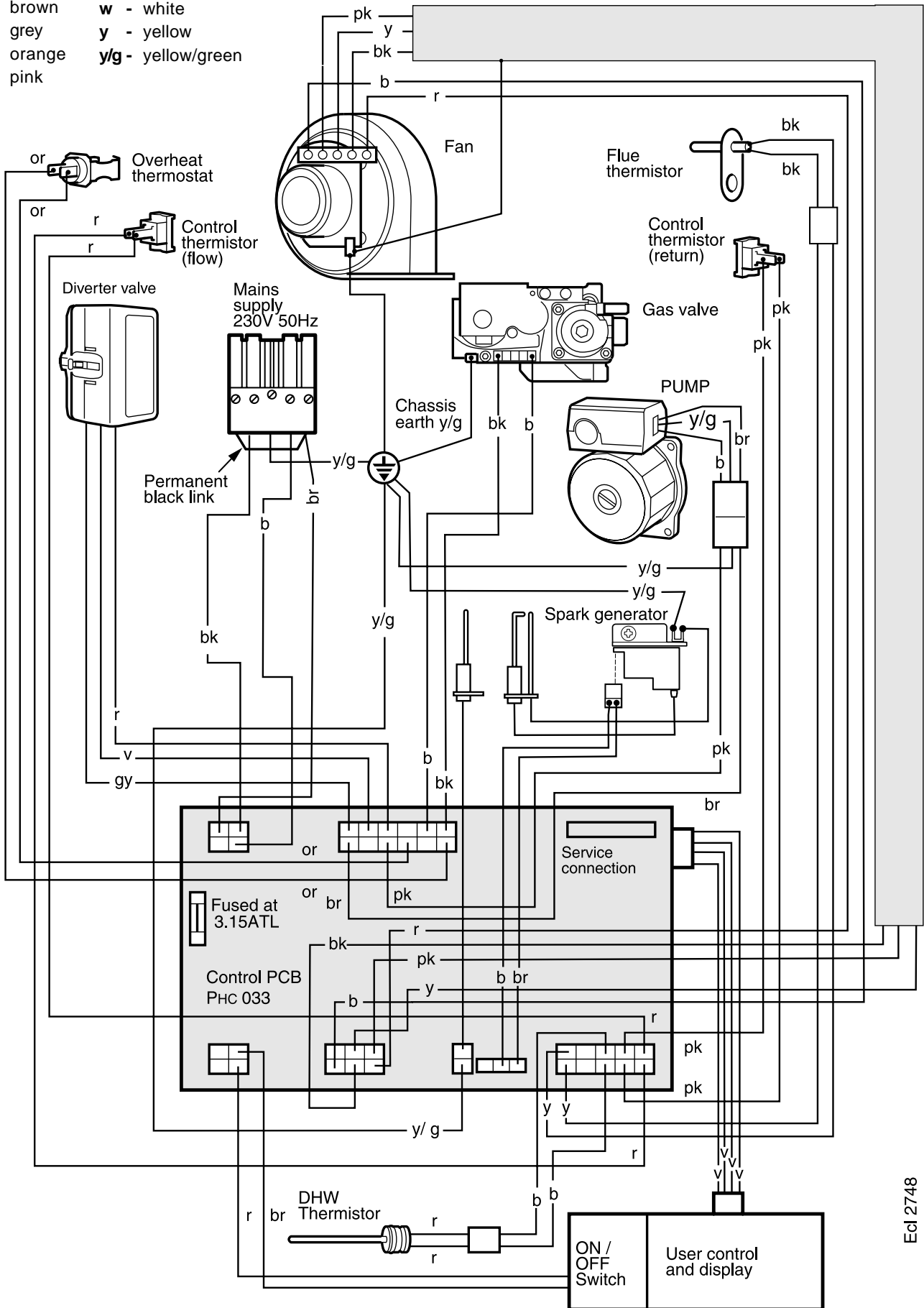


Ecl 6071

33 PICTORIAL WIRING DIAGRAM

LEGEND

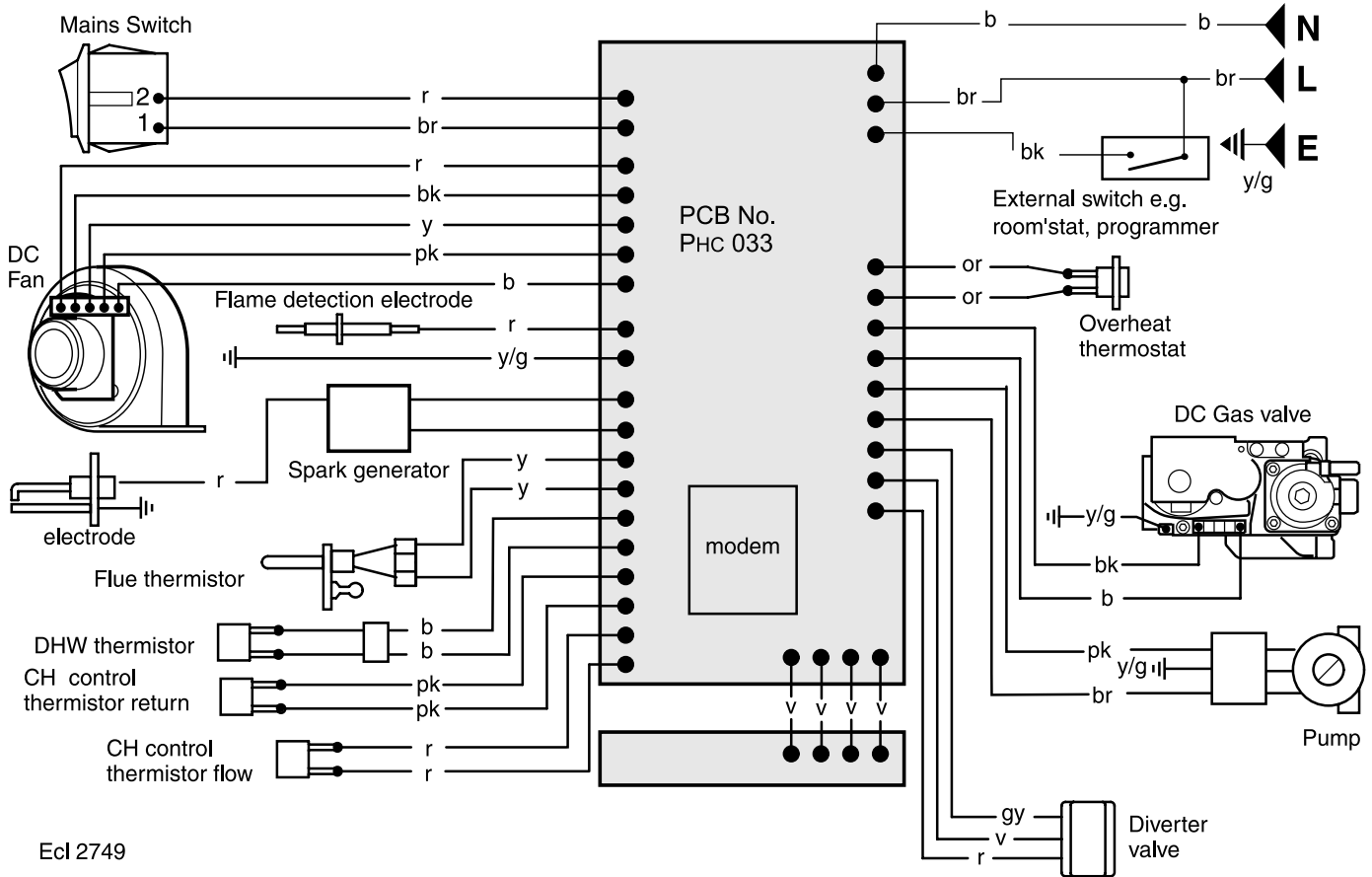
- | | |
|--------------------|---------------------------|
| b - blue | r - red |
| bk - black | v - violet |
| br - brown | w - white |
| gy - grey | y - yellow |
| or - orange | y/g - yellow/green |
| pk - pink | |



Ecl 2748

INSTALLATION

34 FUNCTIONAL FLOW WIRING DIAGRAM



Ecl 2749

LEGEND

| | | |
|-------------------|--------------------|---------------------------|
| b - blue | or - orange | w - white |
| bk - black | pk - pink | y - yellow |
| br - brown | r - red | y/g - yellow/green |
| gy - grey | v - violet | |

35 COMMISSIONING AND TESTING

A. Electrical Installation

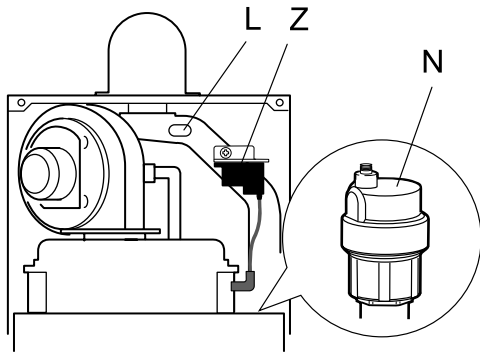
1. Checks to ensure electrical safety should be carried out by a competent person.
2. ALWAYS carry out the preliminary electrical system checks, i.e. earth continuity, polarity, resistance to earth and short circuit, using a suitable test meter.

B. Gas Installation

1. The whole of the gas installation, including the meter, should be inspected and tested for soundness and purged in accordance with the recommendations of BS. 6891. In IE refer to IS.813:2002.
2. Purge air from the gas installation by the approved methods only.

WARNING. Whilst effecting the required gas soundness test and purging air from the gas installation, open all windows and doors, extinguish naked lights and **DO NOT SMOKE.**

36 INITIAL LIGHTING



LEGEND

- | | |
|----------------------------------|--------------------------------------|
| A. Boiler On/Off switch. | N. Automatic air vent. |
| B. CH thermostat knob. | P. Control box (Servicing position). |
| D. Burner On neon. | R. Pressure gauge. |
| E. Reset button. | S. CH Flow isolating valve. |
| F. Injector pressure test point. | T. CH Return isolating valve. |
| G. Inlet pressure test point. | U. DHW outlet. |
| H. Gas service cock. | W. DHW inlet |
| J. Casing pressure test point. | Y. DHW thermostat knob. |
| K. Overheat thermostat. | Z. Spark generator. |
| L. Flue thermistor. | |
| M. Control thermistor (flow). | |

1. Check that the system has been filled and that the boiler is not airlocked. Ensure the automatic air vent cap (N) is open.

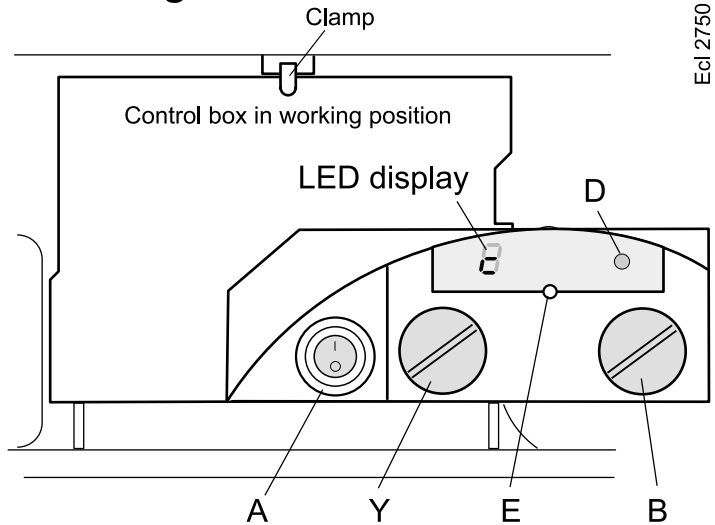
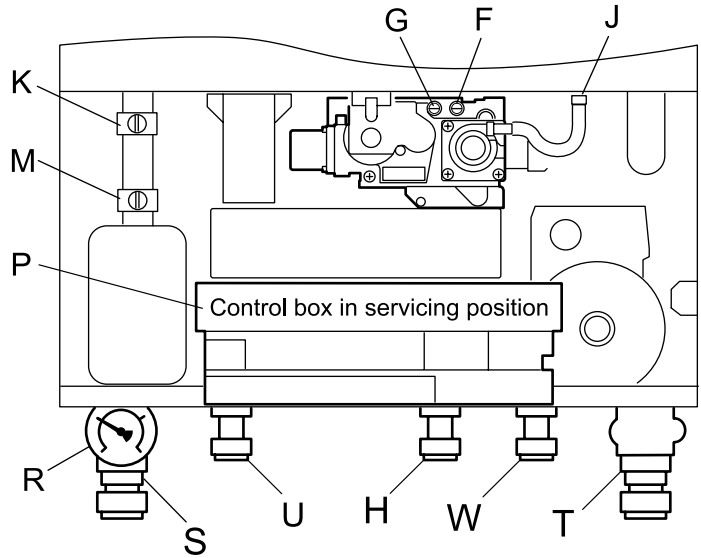
Note.

It is important the burner is not operated before the system is fully vented of air. If it is necessary to operate the appliance pump to assist venting of the air this must be done with the gas service cock turned off.

2. Refit the boiler sealing panel. Refer to Frame 43.
3. Check that all the drain cocks are closed and that the CH and DHW isolating valves (T, W and S) are OPEN.
4. Check that the electrical supply is OFF.
5. Check that the boiler on/off switch (A) is off.
6. Carefully align the user control and push gently into place. Secure with the single screw located underneath.
7. Check that the gas service cock (H) is OPEN.
8. Slacken the screw in the inlet pressure test point (G) and connect a gas pressure gauge via a flexible tube.
9. Swing the control box to the working position and secure with the clamp.
10. Connect the low voltage electrical lead from the user control to the control box (refer to Frame 44).
11. Screw the control into position.
12. Switch the electricity supply ON and check all external controls are calling for heat.

13. CENTRAL HEATING

Set the boiler thermostat knob (B) to position 6 and switch the boiler on/off switch (A) to ON. The boiler control should now go through its ignition sequence until the burner is established.



Ecl 2750

14. If the boiler does not light after 3 attempts the fault code L F will be displayed, Press the reset button (E) and the boiler will repeat its ignition sequence.

When the burner is established the WHITE 'Burner On' neon (D) will be illuminated, the LED display will show status **c**.

The display

The user control has one neon and one display to inform the user about the status. The display will show the status of the boiler. The neon will show the status of the flame. If no flame is detected the neon is blinking. When the flame is detected the neon will be lit permanently.

Below is a list with display function in normal operation.

- \square Standby, no demand for heat present.
- c Boiler is active for central heating.
- d Boiler is active for domestic hot water.
- t Boiler is heating up the plate heat exchanger.
- H Boiler is in lockout for a specific error. Display will be blinking, alternating with a number or letter to show which error is detected.
- L Boiler is in lockout for a specific error. Display will be blinking, 0 alternating with a number or letter to show which error is detected.

INSTALLATION

37 INITIAL LIGHTING - continued

15. DOMESTIC HOT WATER

With the boiler firing, set the DHW thermostat knob (Y) to maximum and fully open a DHW tap.

The boiler should continue to run and the LED display should show status ⌘.

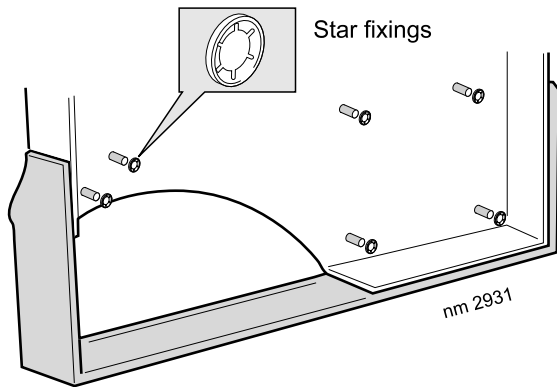
16. Ensure that with the boiler operating the dynamic gas pressure is able to obtain maximum output. Refer to Table 2.

N.B. The principle of the 1:1 gas valve ensures that the **isar** range is able to deliver its full output at inlet pressures well below those required by BS. 6891.

IMPORTANT

The gas input to the burner is regulated by the gas valve according to the air flow produced by the fan. It is **NOT** user-adjustable. Any interference to sealed settings on the gas valve will adversely affect operation and render our warranty void.

17. Turn off the DHW tap.
18. Set the boiler on/off switch (A) to OFF.
19. Swing the control box into the servicing position. Refer to Frame 44.
20. Remove the pressure gauge and tube. Tighten the sealing screw in the pressure test point. Ensure a gas tight seal is made.
21. Swing the control box back into its working position and secure. Reconnect the ignition lead.
22. Refit the user control.
23. Fit the boiler front and bottom panels.
24. **THE FASCIA**
 - a. To remove the plastic fascia, prise off the retaining star washers using a pair of pliers and place to one side.
 - b. Fill the remaining fixing holes with the white push in caps provided.
25. Switch the boiler on again.



38 GENERAL CHECKS

Make the following checks for correct operation in:

DOMESTIC HOT WATER (DHW) MODE

1. With no call for CH or DHW the boiler should fire for a short period to preheat the DHW plate heat exchanger.

The display should read

⌘ ☀ returning to

⌘ when the burner switches off.

Notes.

- a. If no DHW is drawn off, the boiler will fire periodically for a short time, to maintain the plate heat exchanger temperature.
 - b. The DHW preheat operates 24 hours a day.
2. Fully open all DHW taps in turn and ensure that water flows freely from them.

The display should read:

⌘ ☀ flashing then

⌘ ☀ when the burner lights.

3. Close all taps except the furthest one from the boiler and check that the boiler is firing at maximum rate.

This is factory set to give a DHW temperature rise of approximately 35°C at the flow rate stated on page 4 under "operation".

4. Reduce the DHW draw-off rate to about 3 l/min (0.7gpm) and check that the boiler modulates to deliver DHW at approximately 65°C.
5. Close the DHW tap and check that the main burner extinguishes. The pump should overrun for a few seconds and the display sequence should read:

⌘

When the pump stops the display sequence should read:

⌘

Note. On systems in excess of 2 bar inlet pressure a water pressure governor may be required to prevent water noise.

39 GENERAL CHECKS - continued

CENTRAL HEATING (CH) & DOMESTIC HOT WATER (DHW) MODE.

- Ensure that the CH external controls are calling for heat. The display should read:



after first satisfying DHW preheat if necessary. ()

- Fully open a DHW tap and check that hot water is delivered.

The display should read:



3. Gas Rate

Check the boiler gas rate when the boiler is at full DHW output.

Check at the gas meter, with no other appliance in use. Refer to Table 3 for gas rates.

- Close the DHW tap. The burner should go off and the pump continue to run.

The display should read:



then



After 15 seconds the burner should relight, to supply central heating.

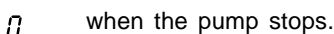
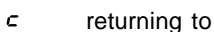
The display should read:



CH & DHW CONT.

- Set the central heating external controls to OFF. The burner should go off and the pump continue to run for a few seconds.

The display should read:



- Check the correct operation of the programmer (if fitted) and all other system controls. Operate each control separately and check that the main burner responds.

WATER TEMPERATURES

Temperatures can be selected via the CH and DHW thermostats.

| Knob Setting | CH Flow Temp °C (°F) | DHW Outlet Temp °C (°F) |
|--------------|-------------------------|----------------------------|
| Max | 82 (180) | 65 (150) |
| Min | 30 (86) | 42 (110) |

WATER CIRCULATION SYSTEM

- With the system COLD, check that the initial pressure is correct to the system design requirements.

For pre-pressurised systems, this should be 1.0 bar.

- With the system HOT, examine all water connections for soundness. The system pressure will increase with temperature rise but should not exceed 2.5 bar.

- With the system still hot, turn off the gas, water and electricity supplies to the boiler and drain down to complete the flushing process.

Note. A flushing solution should be used during the flushing procedure. Flushing solutions: Fernox Superfloc, Sentinel X300 (new systems) or X400 (existing systems). Refer to Frame 6.

- Refill and vent the system, add inhibitor (see Frame 6), clear all air locks and again check for water soundness. Affix the water treatment warning label, supplied in the hardware pack, in a prominent position on the system, to prevent the use of incorrect water treatment additives.

- Reset the system initial pressure to the design requirement.

- Balance the system. Refer to Frame 5.

- Check the condensate drain for leaks and check that it is discharging correctly.

- Finally, set the controls to the User's requirements.

Note. The pump will operate briefly as a self-check once every 24 hours in the absence of any system demand.

40 HANDING OVER

After completing the installation and commissioning of the system the installer should hand over to the householder by the following actions:

1. Hand the User Instructions to the householder and explain his/her responsibilities under the relevant national regulations.
2. Explain and demonstrate the lighting and shutting down procedures.
3. The operation of the boiler and the use and adjustment of all system controls should be fully explained to the householder, to ensure the greatest possible fuel economy consistent with the household requirements of both heating and hot water consumption.

Advise the User of the precautions necessary to prevent damage to the system and to the building, in the event of the system remaining inoperative during frosty conditions.

4. Explain the function and the use of the boiler heating and domestic hot water controls.
5. Explain the function of the boiler fault mode.

Emphasise that if a fault is indicated, the boiler should be turned off and a CORGI registered local heating installer consulted. In IE contact a competent person.
6. Explain and demonstrate the function of time and temperature controls, radiator valves etc., for the economic use of the system.

7. If a programmer is fitted draw attention to the Programmer Users Instructions and hand them to the householder.

8. Loss of system water pressure

Explain that the dial underneath the boiler indicates the central heating system pressure and that if the normal COLD pressure of the system is seen to decrease over a period of time then a water leak is indicated. In this event a registered local heating installer should be consulted.

WARNING.

Do not fire the boiler if the pressure has reduced to zero from the original setting.

9. After installation, commissioning and customer hand-over please complete the **benchmark** appliance log book and leave this with the customer. For IE it is necessary to complete a "Declaration of Conformity" to indicate compliance to I.S. 813:2002

10. IMPORTANT

A comprehensive service should be carried out ANNUALLY.

Stress the importance of regular servicing by a CORGI registered installer. In IE servicing work must be carried out by a competent person.

11. As the installer you may wish to undertake the service contract yourself or alternatively offer to the customer the benefits of the Ideal Care Scheme, details of which are outlined in the householder pack supplied with this boiler.

41 SERVICING SCHEDULE

To ensure the continued safe and efficient operation of the appliance it is recommended that it is checked at regular intervals and serviced as necessary. The frequency of servicing will depend upon the installation condition and usage but should be carried out at least annually. It is the law that any service work must be carried out by a CORGI registered installer. In IE service work must be carried out by a competent person.

Note. *Some aluminium oxide build-up on the heat exchanger fins is usual with this type of condensing boiler. Though removal is recommended annually, the heat exchanger MUST be inspected and cleaned after a MAXIMUM of 2 years operation.*

1. Light the boiler and carry out a pre-service check, noting any operational faults.
2. Check the gas consumption.
3. Connect a suitable gas analyser to the sampling point on the top of the boiler (refer to Frame 43) or into the flue terminal if access is possible (optional test).
For correct boiler operation, the CO/CO₂ content of the flue gas should not be greater than 0.004 ratio.
If this is the case, and the gas input is at least 90% of the nominal, then no further action need be taken. If not, proceed to Step 5 but see note above.
4. Clean the main burner.
5. Clean the heat exchanger.
6. Check the condition of the combustion chamber insulation. Any cracked or damaged pieces should be

replaced.

7. Check the main injector for blockage or damage.
8. Wherever possible remove and clean the condensate 'S' trap (refer to Frame 47) and check the drain for blockage.
9. Check that the flue terminal is unobstructed and that the flue system is sealed correctly.
10. Check the DHW filter for blockage. Refer to Frame 25. The servicing procedures are covered more fully in Frames 42-49 and MUST be carried out in sequence.

Note. *In order to carry out either servicing or replacement of components the boiler front panel and sealing panel must be removed. Refer to Frames 42 and 43.*

WARNING. Always turn OFF the gas supply at the gas service cock, and switch OFF and disconnect the electricity supply to the appliance before servicing.

IMPORTANT.

11. After completing the servicing or exchange of components always test for gas soundness and carry out functional checks in 3 and 4 above.

12. When work is complete the sealing panel MUST be correctly refitted, ensuring that a good seal is made.

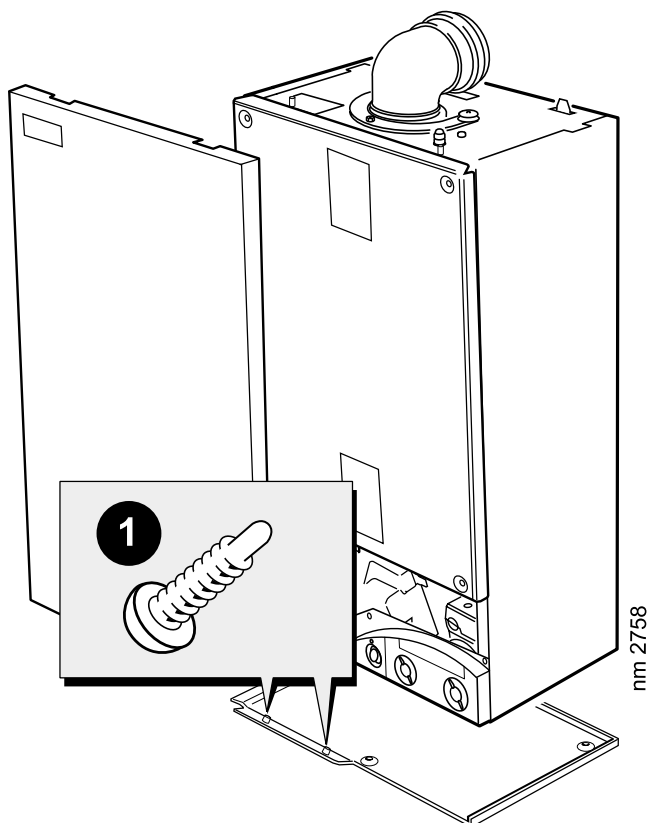
Do NOT OPERATE the boiler if the sealing panel is not fitted.

13. If, for any reason, the condensate 'S' trap has been removed ensure the trap is refilled with water before reassembling.

14. Complete the service section in the Benchmark log book.

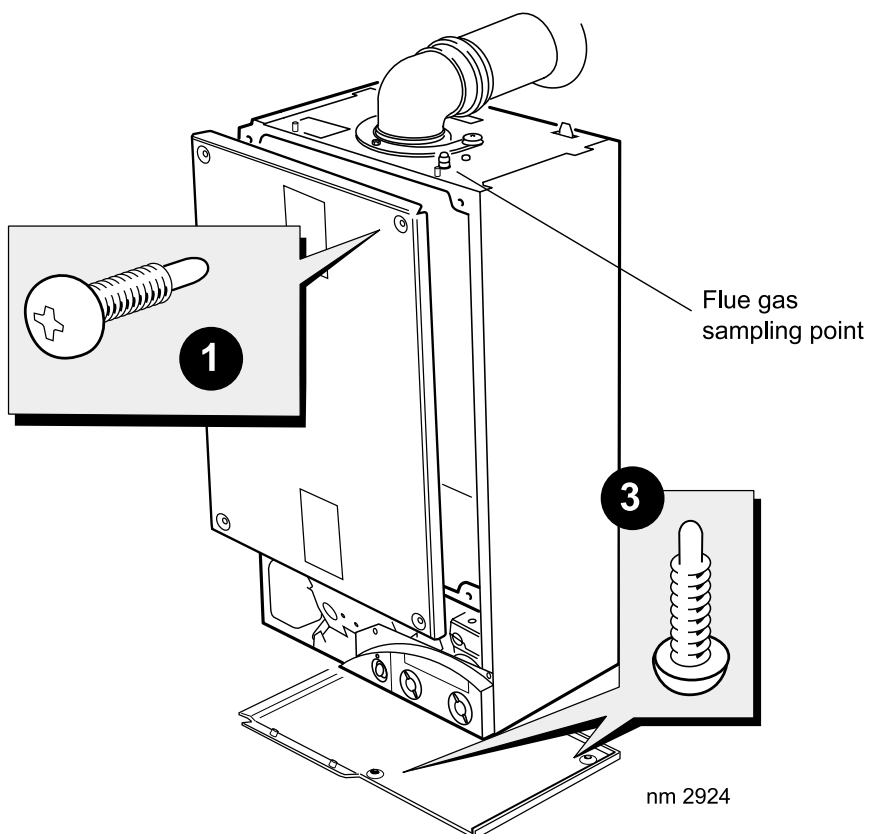
42 BOILER FRONT PANEL REMOVAL

1. Remove the 2 screws from the underside of the boiler.
2. Pull the panel forward at the bottom and lift to disengage it from the top lugs.



43 BOILER SEALING PANEL / BOTTOM PANEL REMOVAL

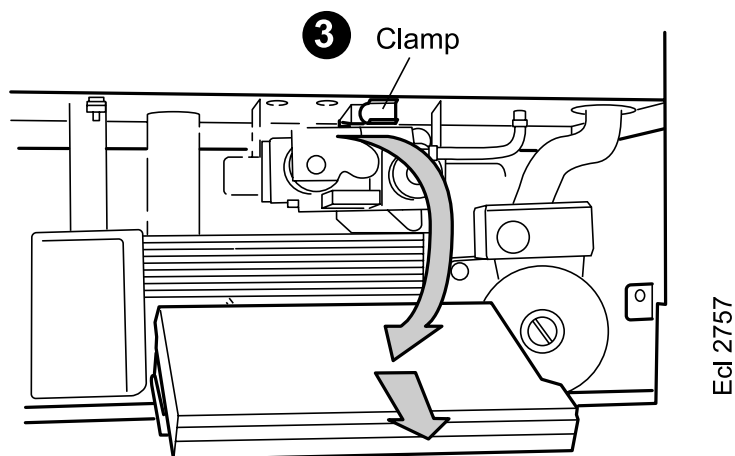
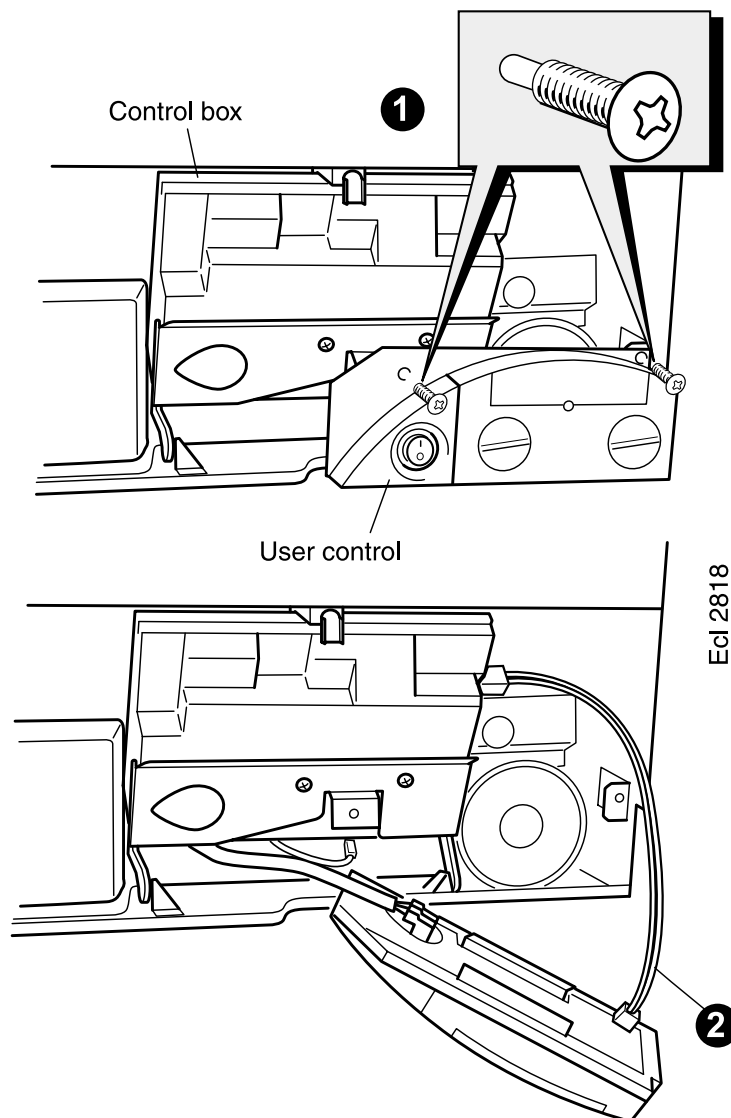
1. To remove the sealing panel remove the 4 screws.
2. Remove the panel.
3. To remove the bottom panel remove the 2 screws.
4. Pull the right hand side of the panel down. Slide it to the right and withdraw.



SERVICING

44 THE CONTROL BOX IN THE SERVICING POSITION

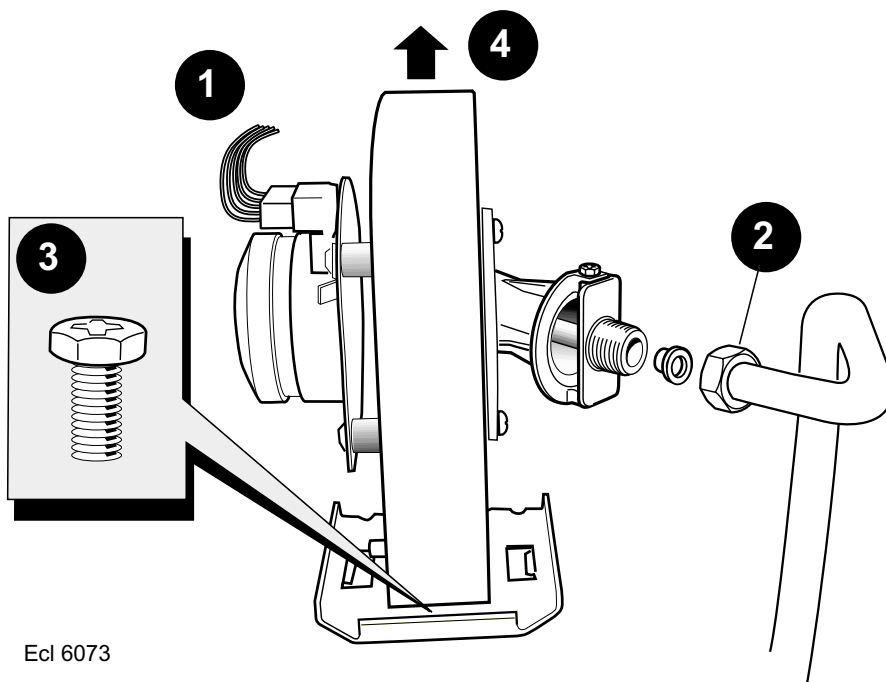
1. Remove the 2 screws and withdraw the user control.
2. Unplug the low voltage electrical lead from the back of the user control.
3. Turn the clamp, swing the control box down and pull slightly forward.



Swing control panel down and forward into service position

45 FAN AND VENTURI ASSEMBLY REMOVAL AND CLEANING

1. Disconnect the electrical leads from the fan.
2. Undo the gas pipe union connection to the injector housing.
3. Undo the screw on the fan mounting bracket.
4. Lift off fan and venturi assembly.
5. Inspect the injector for blockage or damage.



46 BURNER REMOVAL AND CLEANING

1. Remove the 6 screws securing the burner (the 3 screws at the rear are extended to ease access).
2. Lift off the burner from the combustion chamber.

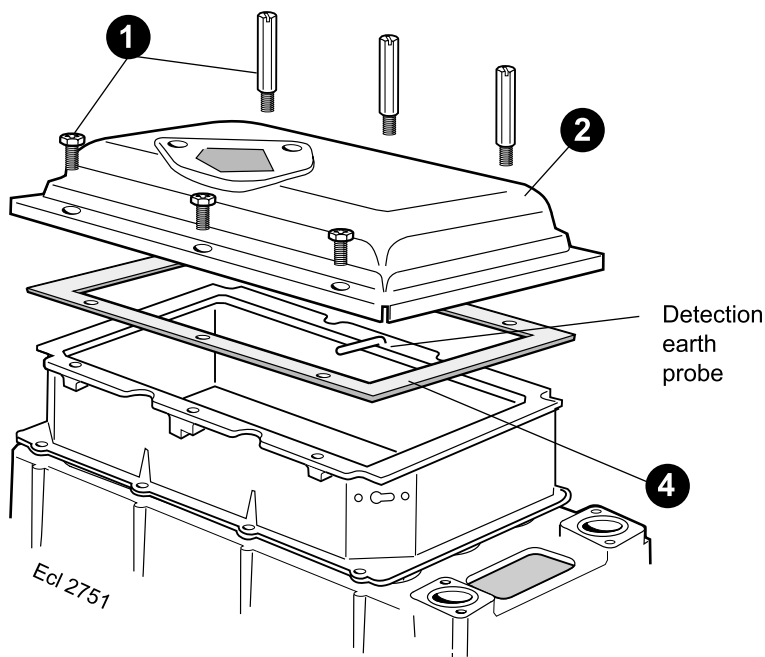
IMPORTANT

The burner head is a ceramic plaque construction. Care must be taken to ensure that **the burner is not placed down upon its face** as this may cause damage to the ceramic.

3. Brush off any deposits that may be on the ceramic with a SOFT brush.
4. Inspect the sealing gasket around the burner and combustion chamber insulation for any signs of damage. Replace as necessary.

Note.

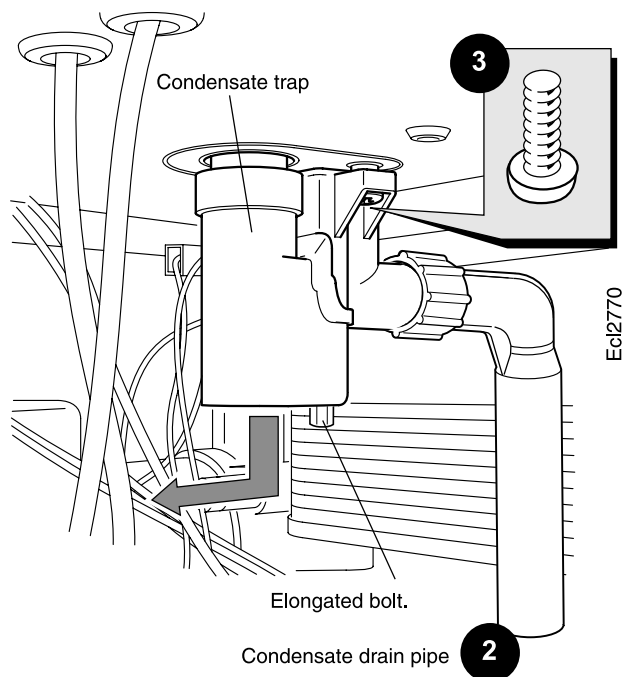
Take care not to disturb the detection earth probe at the rear of the combustion chamber.



SERVICING

47 CLEANING THE CONDENSATE 'S' TRAP

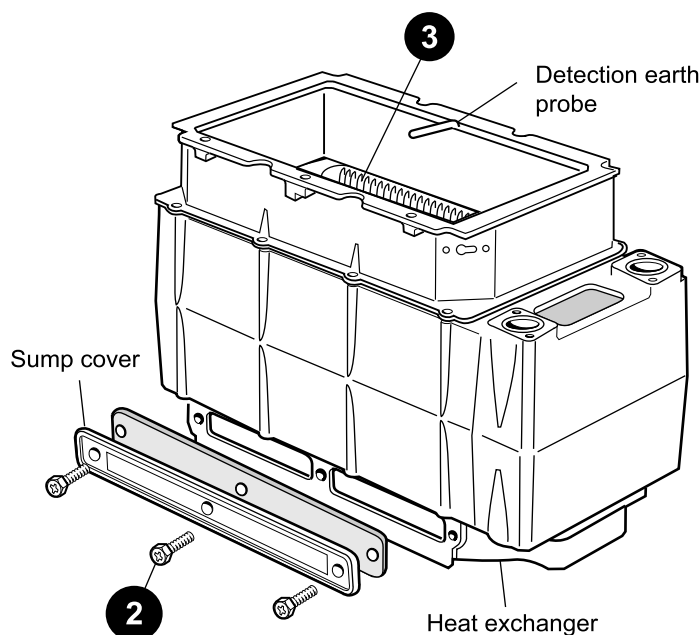
1. Swing the control box down into the servicing position. Refer to Frame 44.
2. Disconnect the condensate drain pipe.
3. Remove the screw and elongated bolt, pull the trap down and forward to remove.
4. Flush out any deposits with clean water.



48 CLEANING THE HEAT EXCHANGER

1. Remove ignition and flame detection electrodes. Refer to Frames 56 & 57.
2. Remove the 3 screws retaining the sump cover and remove.
3. Using a suitable tool as supplied in the standard British Gas Flue brush kit, clean between the heat exchanger fins from the top of the heat exchanger.
4. Access to the base of the heat exchanger is now possible. Brush clean any deposits from the base of the heat exchanger and remove any loose deposits from the sump.
5. Inspect the ignition and detection electrodes. Ensure that they are clean and in good condition - replace if necessary.
6. Check the condition of the combustion chamber insulation. Any cracked or damaged pieces should be replaced.
7. Check that the ignition and detection gaps are correct. Refer to Frames 56 & 57.

Note. Take care not to disturb the detection earth probe at the rear of the combustion chamber.



49 REASSEMBLY

Reassemble the boiler in the following order:

1. Refit the condensate 'S' trap, ensuring that it is full of water.
 2. Refit the sump cover.
 3. Refit the electrodes. (Check dimensions; Frames 56 & 57).
 4. Refit the burner.
 5. Refit the fan / venturi assembly.
 6. Reconnect the fan electrical lead.
 7. Refit the boiler sealing panel.
- IMPORTANT.**
Ensure that the boiler sealing panel is correctly fitted and that a good seal is made.
8. Swing the control box back into its working position and secure.
 9. Refit the display unit.
 10. Refit the boiler front and bottom panels.
 11. Turn on the gas supply at the gas service cock.
 12. Reconnect the electrical supply.

50 REPLACEMENT OF COMPONENTS

GENERAL

When replacing ANY component

1. Isolate the electricity supply.
2. Turn off the gas supply.
3. Remove the boiler front panel. Refer to Frame 42.

After replacing ANY component check operation of the boiler, including gas soundness, gas rate and combustion test.

IMPORTANT.

When work is complete, the sealing panel, if removed, must be correctly refitted - ensuring that a good seal is made.

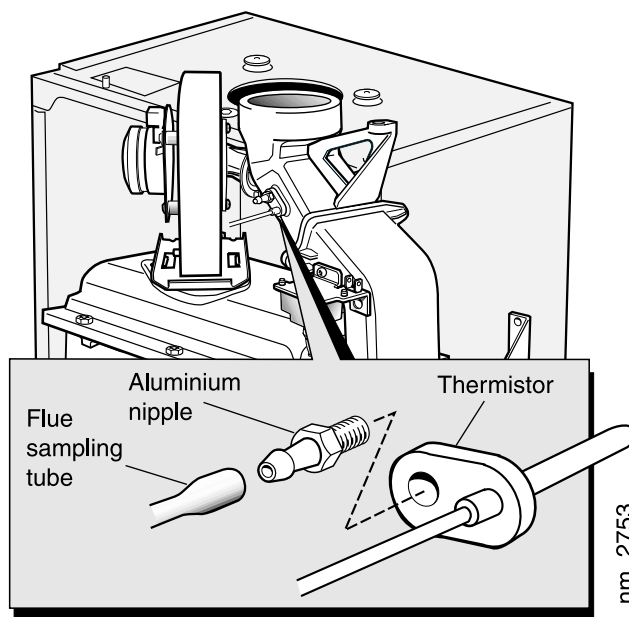
Notes.

1. In order to assist fault finding, the control panel has an LED diagnostic display. The key to boiler fault conditions is shown in Frame 77.
2. In order to replace components in Frames 67-75 it is necessary to drain the boiler. Refer to Frame 70.

THE BOILER MUST NOT BE OPERATED WITHOUT THE SEALING PANEL FITTED

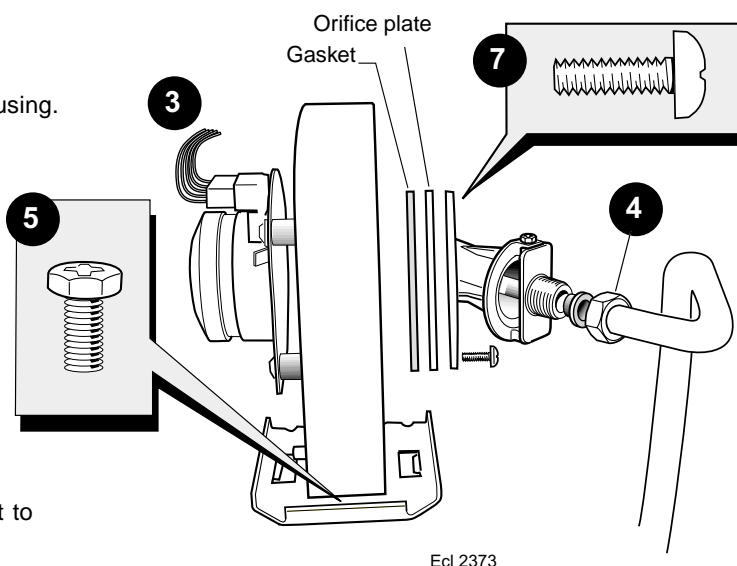
51 FLUE THERMISTOR REPLACEMENT

1. Refer to Frame 50.
2. Remove the boiler front and sealing panels. Refer to Frames 42 & 43.
3. Unplug the electrical lead.
4. Disconnect the flue sampling tube from the thermistor housing.
5. Remove the aluminium nipple securing the thermistor to the flue manifold.
6. Withdraw the thermistor.
7. Fit the new flue thermistor, using the gasket supplied.
8. Reassemble in reverse order.
9. Check the operation of the boiler. Refer to Frame 50.



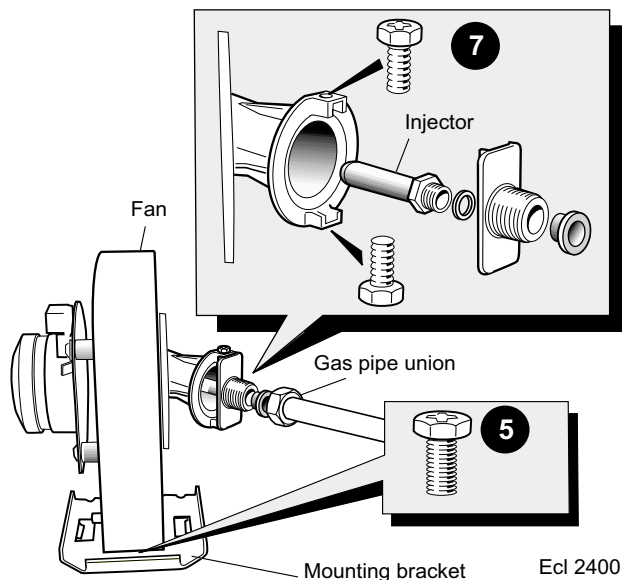
52 FAN REPLACEMENT

1. Refer to Frame 50.
2. Remove the boiler front and sealing panels. Refer to Frames 42 & 43.
3. Disconnect the electrical leads from the fan.
4. Undo the gas pipe union connection to the injector housing.
5. Remove the screw retaining the fan mounting bracket.
6. Remove the fan and venturi assembly. Refer to Frame 45.
7. Unscrew the 3 screws and remove the venturi assembly, *noting the orientation of the venturi in relation to the fan body.*
8. Transfer the venturi assembly to the new fan, replacing the gasket if evidence of damage or deterioration is visible.
9. Fit the new fan / venturi assembly.
10. Reassemble the boiler in reverse order, taking care not to overtighten the screw on the fan mounting bracket.
11. Check the operation of the boiler. Refer to Frame 50.



53 BURNER INJECTOR REPLACEMENT

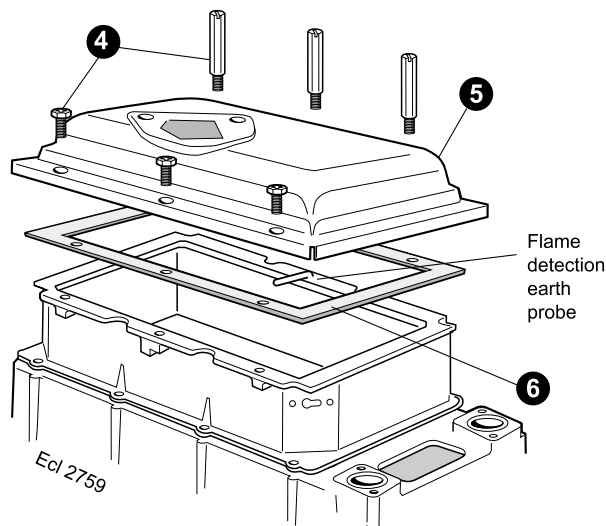
1. Refer to Frame 50.
2. Remove the boiler front and sealing panels. Refer to Frames 42 & 43.
3. Disconnect the electrical leads from the fan.
4. Undo the gas pipe union connection to the injector housing.
5. Remove the screw retaining the fan mounting bracket.
6. Remove the fan and venturi assembly
7. Remove the 2 injector housing screws.
8. Withdraw the injector housing.
9. Fit the new injector housing complete with injector.
10. Reassemble in reverse order, ensuring that the new gas seal supplied is located correctly in the injector housing.
11. Check operation of the boiler. Refer to Frame 50.



54 BURNER REPLACEMENT

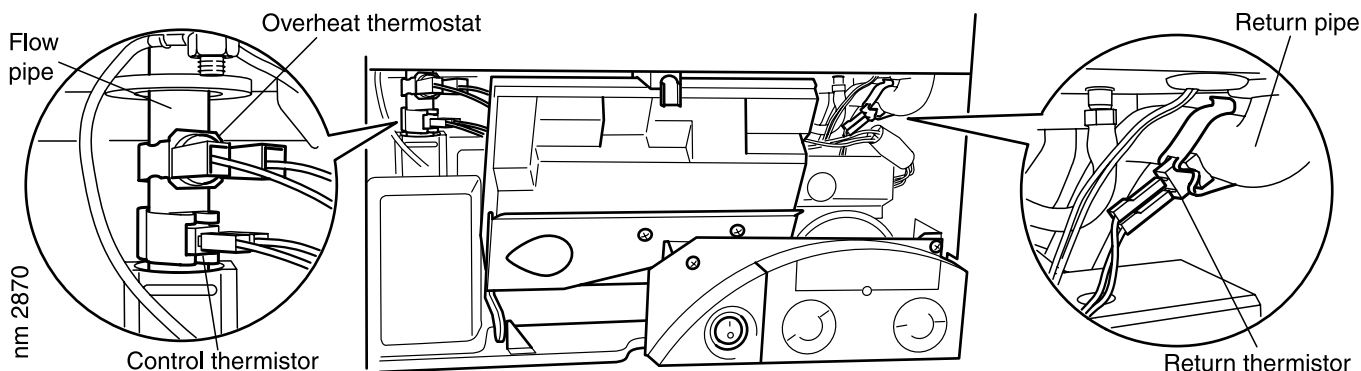
1. Refer to Frame 50.
2. Remove the boiler front and sealing panels. Refer to Frames 42 & 43.
3. Remove the fan assembly. Refer to Frame 52.
4. Remove the 6 screws securing the burner (the 3 screws at the rear are extended to ease access).
5. Lift off the burner from the combustion chamber.
6. Fit the new burner, replacing any damaged or deteriorating sealing gasket.
7. Reassemble in reverse order.
8. Check the operation of the boiler. Refer to Frame 50.

Note. Take care not to disturb the detection earth probe at the rear of the combustion chamber.



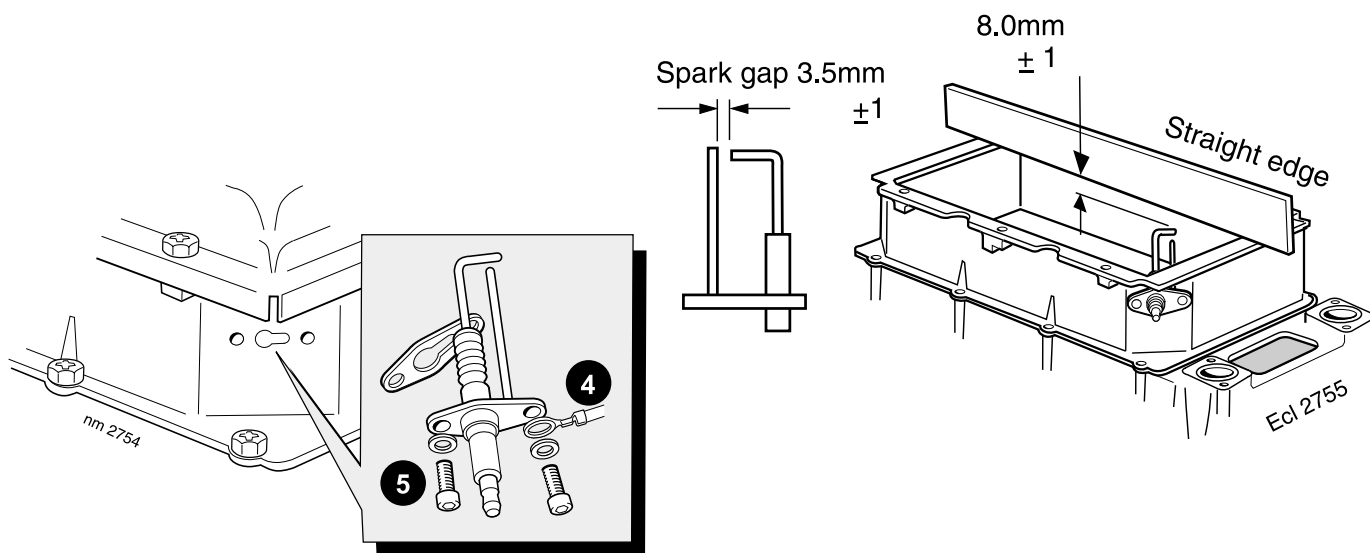
55 CONTROL THERMISTOR, RETURN THERMISTOR & OVERHEAT 'STAT REPLACEMENT

1. Refer to Frame 50.
2. Remove the boiler front and sealing panels. Refer to Frames 42 & 43.
3. Unclip the thermistor / thermostat from the flow / return pipe and withdraw it from the controls compartment.
4. Disconnect the electrical leads from the thermistor / thermostat.
5. Reconnect the electrical leads and reassemble in reverse order, ensuring that the spring clip is securely on the pipe.
6. Check the operation of the boiler. Refer to Frame 50.



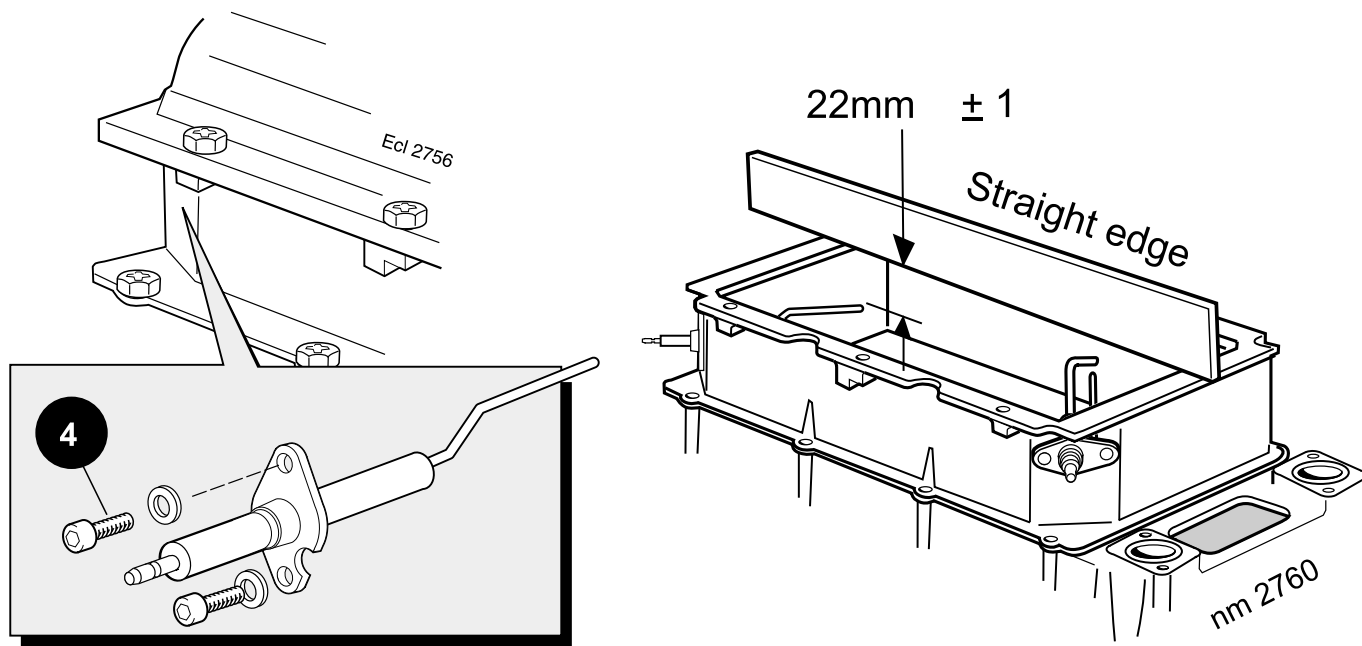
56 IGNITION ELECTRODE REPLACEMENT

1. Refer to Frame 50.
2. Remove the boiler front and sealing panels. Refer to Frames 42 & 43.
3. Unplug the ignition lead from the electrode.
4. Remove the earth lead from the ignition electrode.
5. Remove the remaining screw holding the ignition electrode to the combustion chamber.
6. Remove the electrode.
7. Fit the new ignition electrode, using the new gasket supplied. Check dimensions as shown.
8. Reassemble in reverse order.
9. Check the operation of the boiler. Refer to Frame 50.



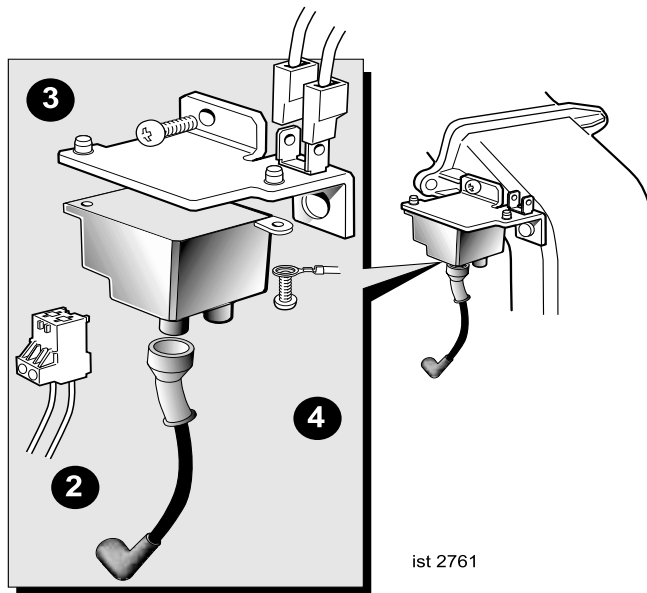
57 FLAME DETECTION ELECTRODE REPLACEMENT

1. Refer to Frame 50.
2. Remove the boiler front and sealing panels. Refer to Frames 42 & 43.
3. Unplug the flame detection lead from the electrode.
4. Remove the 2 screws holding the flame detection electrode to the combustion chamber.
5. Remove the electrode.
6. Fit the new flame detection electrode, using the new gasket supplied. Check dimensions as shown.
7. Reassemble in reverse order.
8. Check the operation of the boiler. Refer to Frame 50.



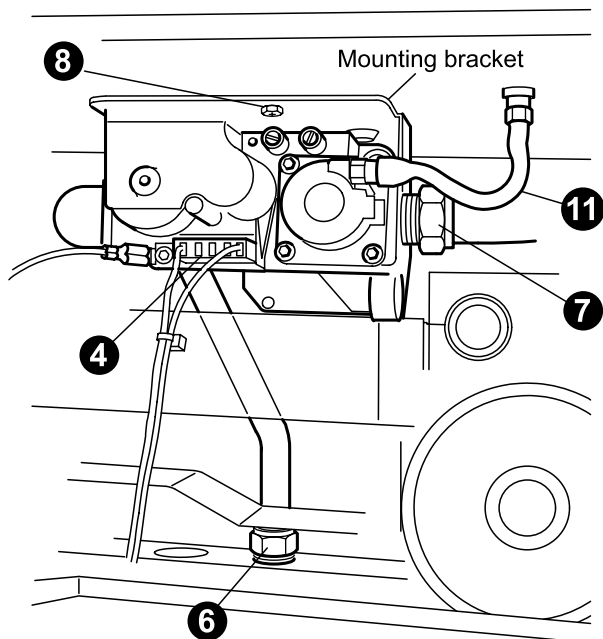
58 SPARK GENERATOR REPLACEMENT

1. Refer to Frame 50.
2. Disconnect the leads from the spark generator and bracket.
3. Remove the M5 screw securing the spark generator bracket to the flue casting.
4. Remove the 2 M4 screws securing the spark generator to the bracket.
5. Fit the new spark generator and re-assemble in reverse order.
6. Check operation of the boiler. Refer to Frame 50.



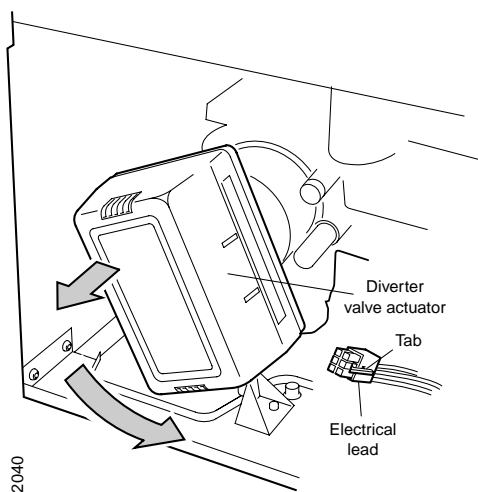
59 GAS CONTROL VALVE REPLACEMENT

1. Refer to Frame 50.
2. Remove the casing front & bottom panel. Refer to Frames 42 & 43.
3. Swing the control box down into the servicing position. Refer to Frame 44.
4. Unplug the electrical lead from the gas control valve and disconnect the earth wire.
5. Remove the sensing tube from the gas control valve.
6. Undo the gas inlet pipe union at the gas service cock.
7. Undo the union nut on the outlet of the gas control valve.
8. Slacken the screw securing the valve mounting bracket and withdraw the valve, complete with bracket and inlet pipe.
9. Transfer the mounting bracket and gas inlet pipe to the new gas control valve.
10. Fit the new gas control valve, ensuring that any seals showing damage or deterioration are replaced. Reassemble in reverse order.
11. Ensure the sensing tube is correctly replaced and not kinked or blocked in any way.
12. Check operation of the boiler. Refer to Frame 50.



60 DIVERTER VALVE ACTUATOR REPLACEMENT

1. Refer to Frame 50.
2. Remove the casing front & bottom panel. Refer to Frames 42 & 43.
3. Squeeze the tab and unplug the electrical lead from the valve actuator.
4. Rotate the actuator anticlockwise and pull forward to remove.
5. Fit the new actuator and reassemble in reverse order.
6. Check operation of the boiler. Refer to Frame 50.



61 COMBUSTION CHAMBER INSULATION REPLACEMENT

The insulation boards used in the combustion chamber of this product are made of high temperature glass fibres with a binder of organic and inorganic materials.

Caradon Ideal Limited recommend that, for your own comfort and safety and to comply with good working practice, the procedure described below is followed:

1. Refer to Frame 50.
2. Remove the boiler front and sealing panels. Refer to Frames 42 & 43.
3. Remove the fan / venturi assembly. Refer to Frame 45.
4. Remove the burner. Refer to Frame 46.
5. Remove the the ignition electrode. Refer to Frame 56.
6. Remove the flame detection electrode. Refer to Frame 57.

Prior to removal of the board the following protective equipment should be worn:

- **Face mask supplied with the spare part.**
 - **Gloves supplied with the spare part.**
7. Remove the detection earth probe.

8. Damp down the combustion chamber area containing the insulation boards.
9. Remove the split pin and washer from the RHS of the combustion chamber.
10. Remove the insulation boards. The replacement boards are supplied in a plastic bag. This bag should be retained and the discarded boards should now be placed into it.
11. Sweep any dampened particles and place in the plastic bag.
12. Fit new insulation boards.

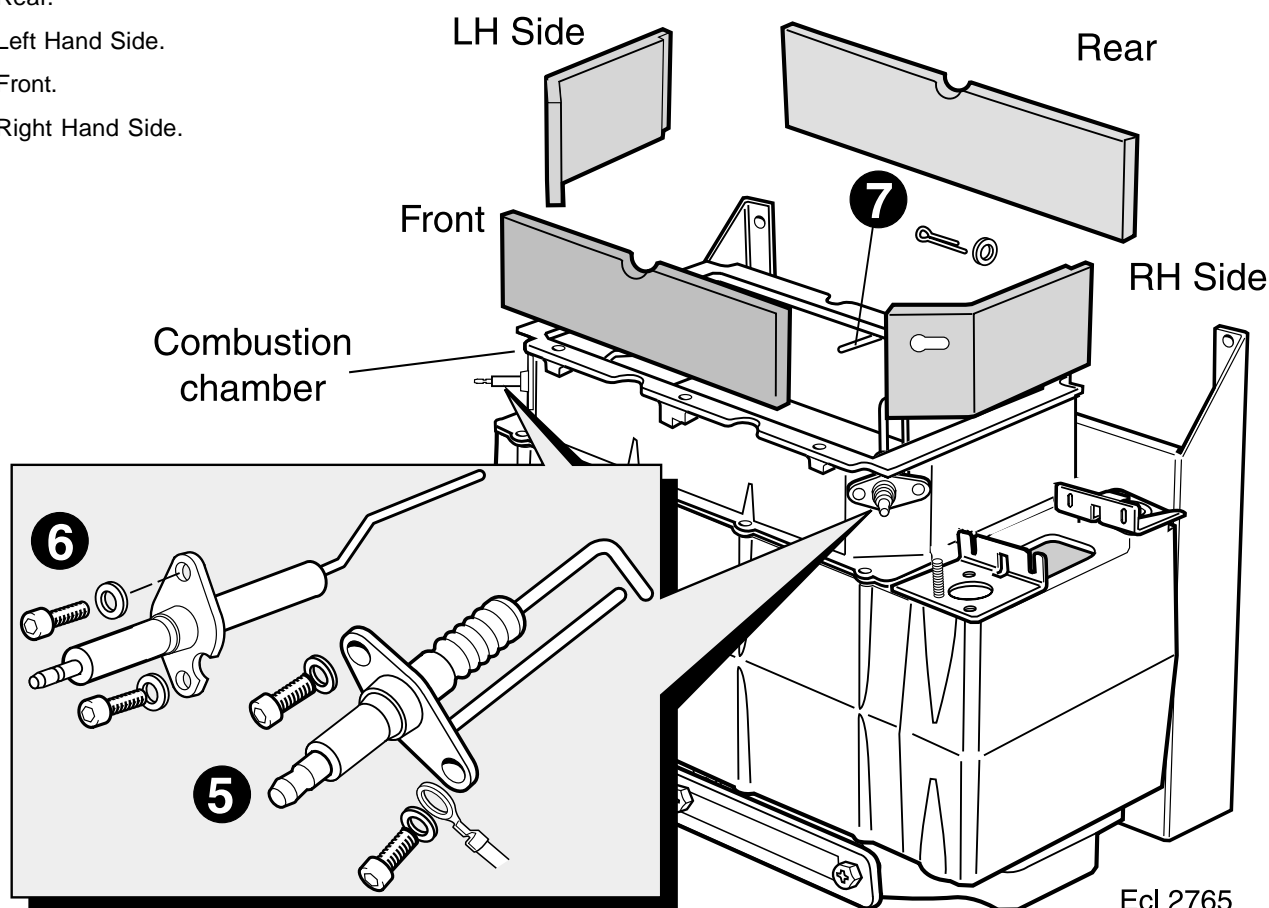
Note.

The boards are designed to be interlocking and should be fitted as shown.

13. Fit the new split pin and washer in the RHS of the chamber.
 14. Remove the gloves and face mask and place them in the plastic bag.
 15. Wash your hands and any areas of skin which may have come into contact with any of the particles from the insulation board.
- Note.** Seal the plastic bag and dispose of it and its contents into a commercial tip.
16. Reassemble in reverse order.
 17. Check operation of the boiler. Refer to Frame 50.

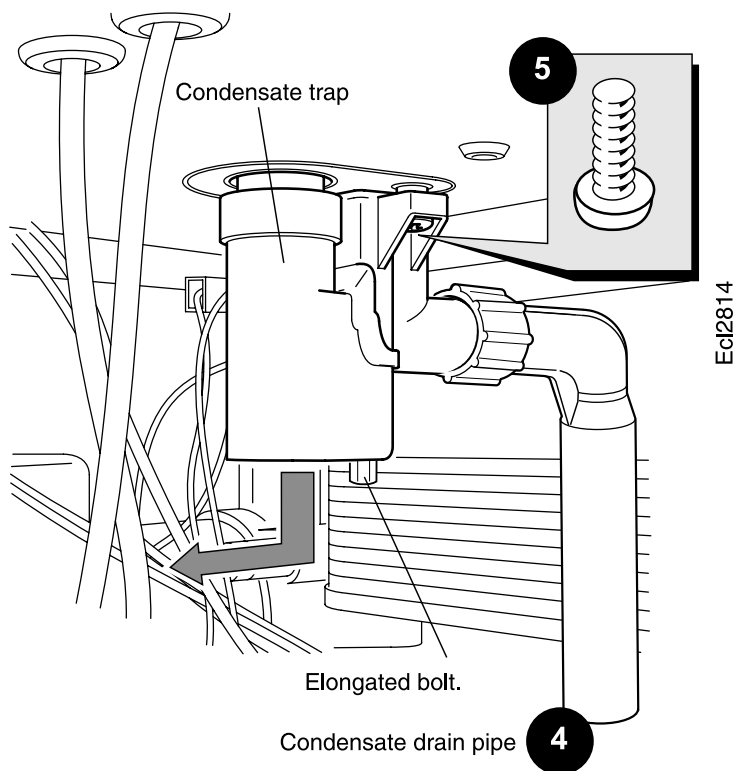
Fit insulation in the following order:

1. Rear.
2. Left Hand Side.
3. Front.
4. Right Hand Side.



62 CONDENSATE 'S' TRAP REPLACEMENT

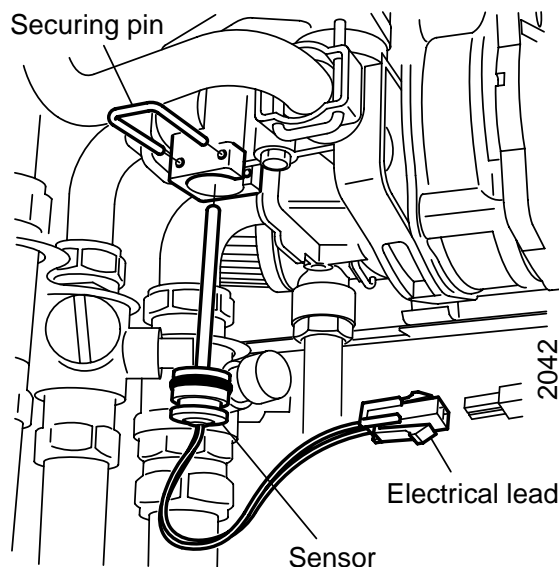
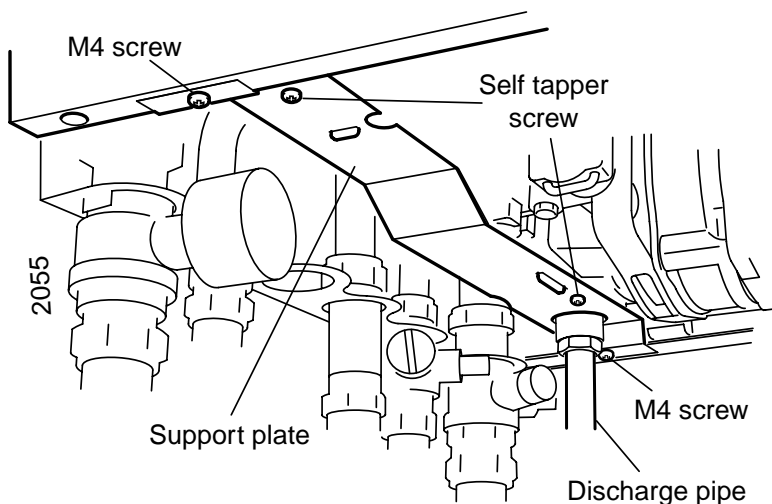
1. Refer to Frame 50.
2. Remove the casing front & bottom panel. Refer to Frames 42 & 43.
3. Swing the control box down into the servicing position. Refer to Frame 44.
4. Disconnect the condensate drain pipe.
5. Remove the securing screw and elongated bolt, pull the trap down and forward to remove.
6. Transfer the drain pipe to the new trap and reassemble in reverse order.
7. When reassembling ensure the trap is full of water.
8. Check operation of the boiler. Refer to Frame 50.



63 DHW THERMISTOR REPLACEMENT

1. Refer to Frame 50.
 2. Remove the casing front & bottom panel. Refer to Frames 42 & 43.
 3. Remove the 4 screws securing the support plate and withdraw the plate.
- Note.** The M4 screws fit the casing and the self-tapping screws fit the plastic pump and valve housings.
4. Withdraw the securing pin.
 5. Disconnect the electrical lead.
 6. Ease out the sensor and discard.
 7. Fit the new sensor, ensuring silicone grease is applied to the 'O' ring.

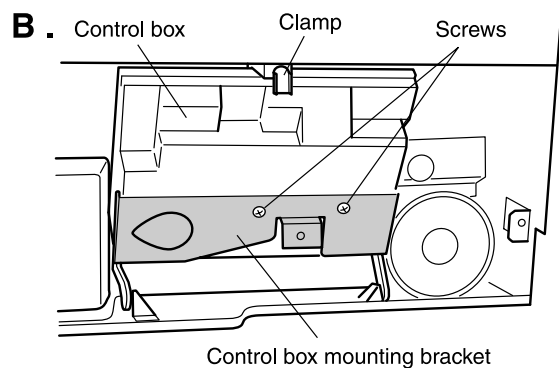
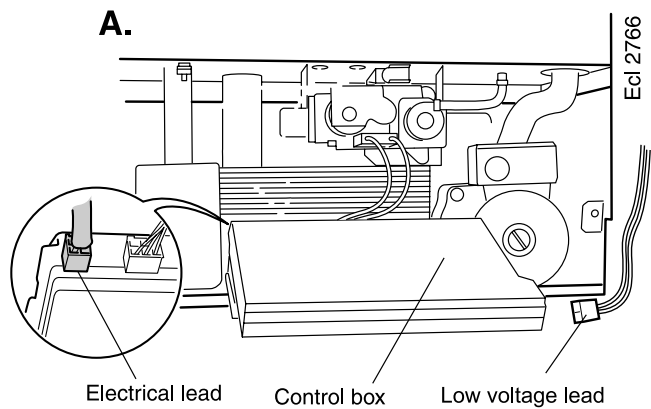
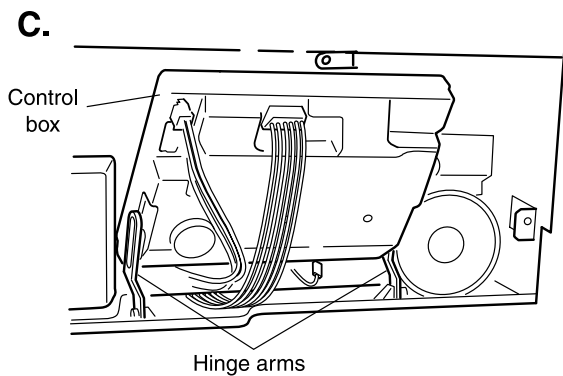
8. Refit the securing pin.
9. Reassemble in reverse order, ensuring correct location of screws in support plate, and that tabs on the pump and valve housings engage in slots.
10. Check operation of the boiler. Refer to Frame 50.



64 CONTROL BOX REPLACEMENT

1. Refer to Frame 50.
2. Remove the casing front & bottom panel. Refer to Frames 42 & 43.
3. Swing the control box down into the servicing position. Refer to Frame 44.
4. Unplug the user control electrical lead and low voltage lead from the control box and remove the control. Refer to diagram A.
5. Return the control box to the working position and secure with the clamp. Unscrew the mounting bracket screws to remove the bracket. Refer to diagram B.
6. Release the clamp and carefully remove the control box from the hinge arms. Refer to diagram C.
7. Unplug all the electrical wiring from the control box and remove.

8. Transfer mounting bracket and hinge arms to the new control box.
9. Reassemble in reverse order, ensuring that the control box is located correctly in the housing before reconnecting the electrical wiring.
10. Check operation of the boiler. Refer to Frame 50.

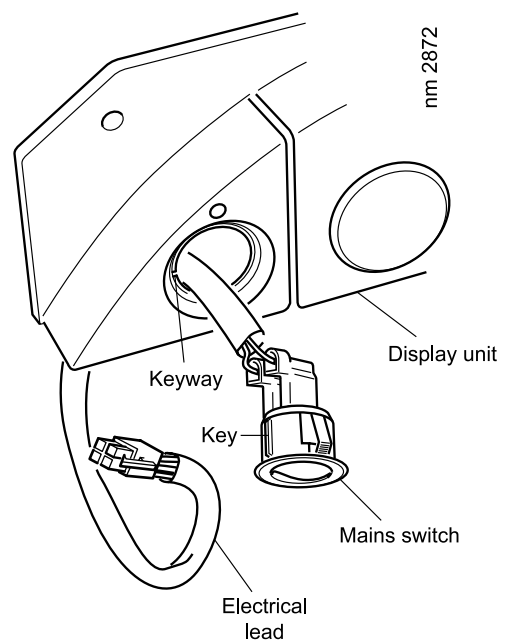
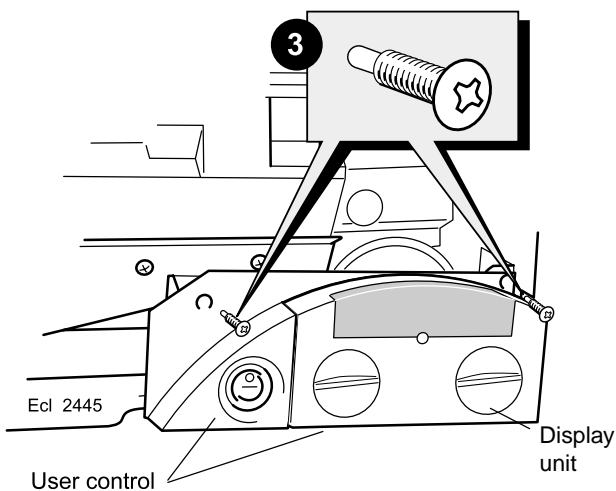


65 MAINS SWITCH REPLACEMENT

1. Refer to Frame 50.
2. Remove the casing front & bottom panel. Refer to Frames 42 & 43.
3. Remove the 2 screws and allow the user control to lower.
4. Push out the mains switch from the rear, as shown.
5. Fit the new switch, ensuring that the electrical leads are

replaced on the correct terminals (refer to Frame 34) and the key on the switch is correctly aligned with the slot in the plastic moulding.

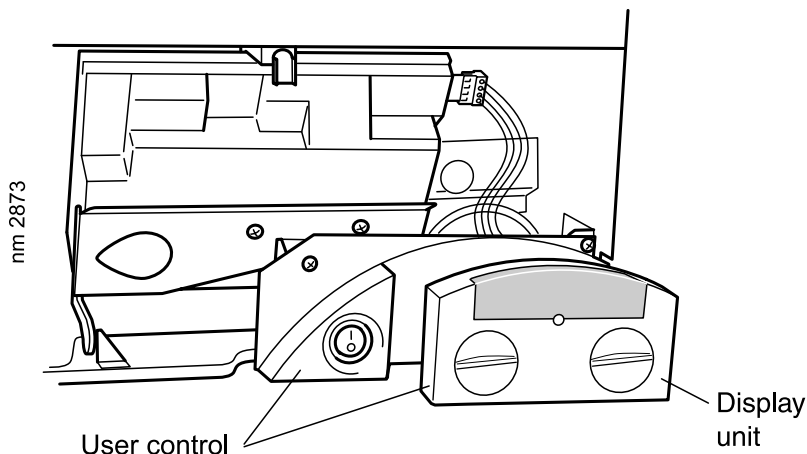
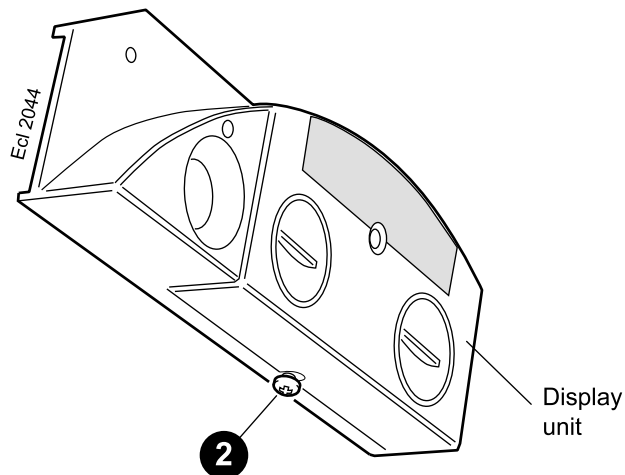
6. Reassemble in reverse order.
7. Check operation of the boiler. Refer to Frame 50.



66 USER CONTROL REPLACEMENT

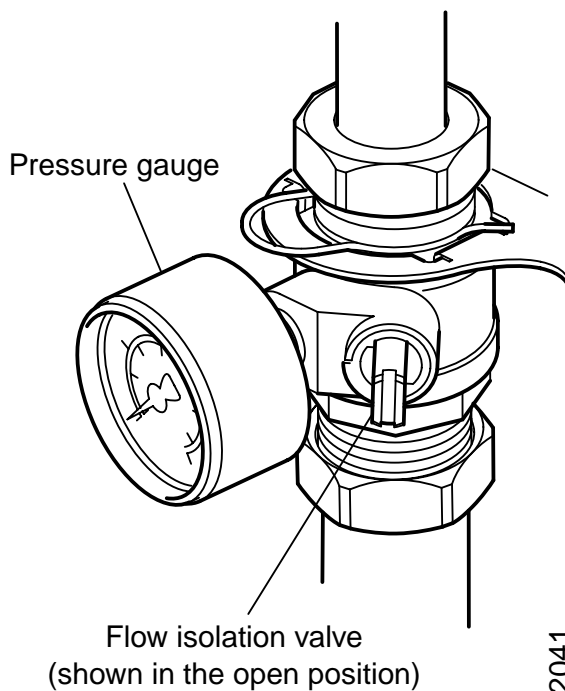
Note. Only the display unit is replaced.

1. Refer to Frame 50.
2. Loosen the screw on the underside of the user control.
3. Pull the display unit forward to remove.
4. Push the new display unit into position.
5. Reassemble in reverse order.
6. Check operation of the boiler. Refer to Frame 50.



67 PRESSURE GAUGE REPLACEMENT

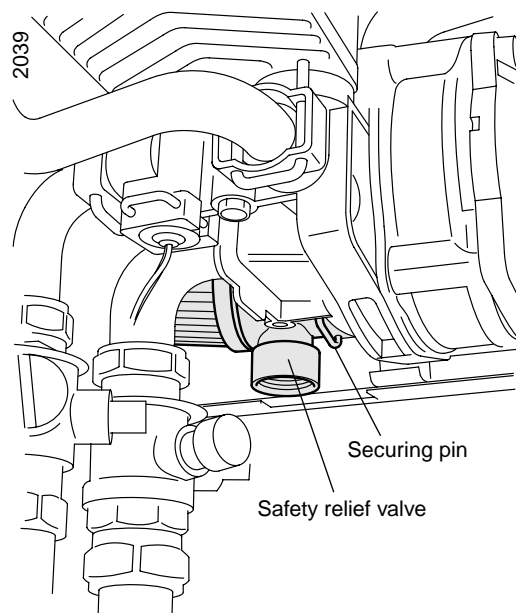
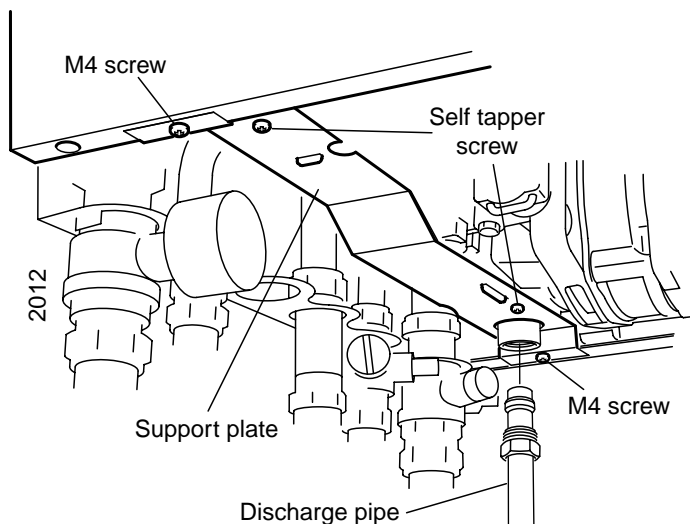
1. Refer to Frame 50.
2. Drain the boiler. Refer to Frame 70.
3. Unscrew the pressure gauge and discard.
4. Fit the new pressure gauge, using a suitable jointing compound.
5. Refill the boiler. Refer to Frame 29.
6. Check operation of the boiler. Refer to Frame 50.



68 SAFETY RELIEF VALVE REPLACEMENT

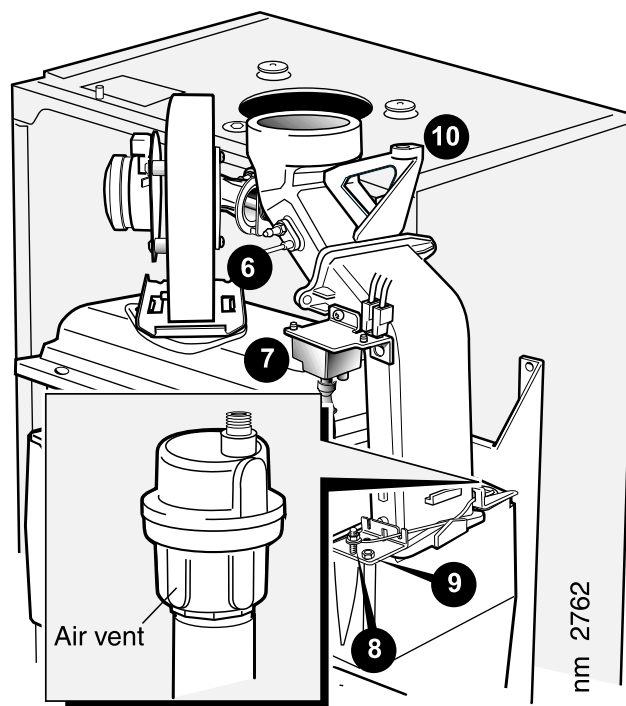
1. Refer to Frame 50.
 2. Remove the casing front and bottom panels. Refer to Frames 42 & 43.
 3. Drain the boiler. Refer to Frame 70.
 4. Remove the discharge pipe.
 5. Remove the 4 screws retaining the rear support plate and withdraw the plate.
- Note.** *The M4 screws fit the casing and the self-tapping screws fit the plastic pump and valve housings, as shown.*
6. Withdraw the securing pin.

7. Remove the safety valve.
8. Fit the new safety valve and refit the securing pin.
9. Reassemble in reverse order, ensuring correct location of screws in the support plate and that tabs on the pump and valve housings engage in slots.
10. Reconnect the discharge pipe.
11. Refill the boiler. Refer to Frame 29.
12. Check operation of the boiler. Refer to Frame 50.



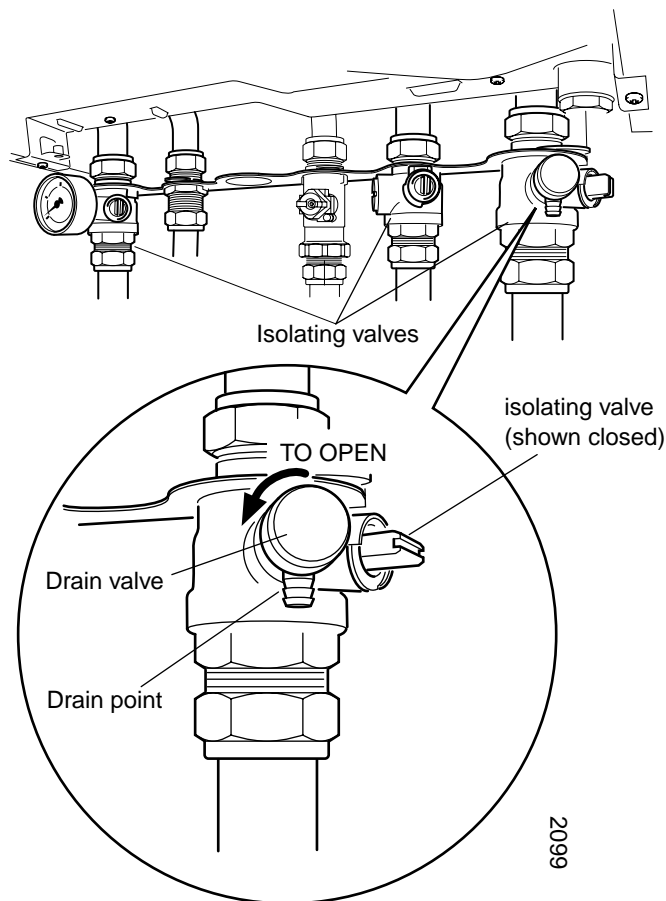
69 AUTOMATIC AIR VENT REPLACEMENT

1. Refer to Frame 50.
 2. Remove the boiler front and sealing panels. Refer to Frames 42 & 43.
 3. Drain the boiler. Refer to Frame 70.
 4. Remove the turret from the boiler. Refer to Frame 23.
 5. Release the silicon tubing from the sample point.
 6. Release the electrical connections from the flue thermistor.
 7. Release the electrical connections from the spark generator.
 8. Remove the M5 nut retaining the flue casting spring clip and remove the spring clip.
 9. Undo the 2 M5 x 10 flue spring clip retaining bracket screws and remove the bracket.
 10. Remove the M5 x 10 screw retaining the flue casting.
 11. Remove the flue casting.
 12. Unscrew the air vent from the extension pipe on the boiler boss.
 13. Fit the new air vent, complete with 'O' ring provided, and reassemble in reverse order.
- Note.** *In the event that the extension pipe is removed at the same time as the air vent, remove it from the air vent and refit it into the heat exchanger before fitting the new air vent, ensuring that its 'O' ring seal is in place.*
14. Refill the boiler. Refer to Frame 29.
 15. Check the operation of the boiler. Refer to Frame 50.



70 DRAINING THE BOILER

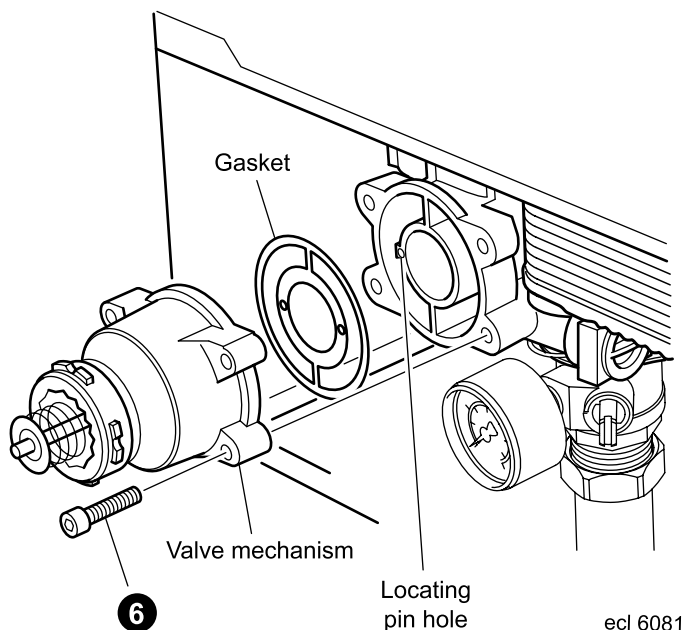
1. Refer to frame 50.
2. Remove the boiler bottom panel. Refer to Frame 43.
3. Close all the water isolating valves on the piping frame.
4. Attach a length of hose to the drain point and open the drain valve.
5. **After replacing any component on the boiler, close the drain valve, remove the hose and open all system isolating valves before proceeding to check operation of the boiler.**
6. Check operation of the boiler. Refer to Frame 50



SERVICING

71 DIVERTER VALVE MECHANISM REPLACEMENT

1. Refer to Frame 50.
 2. Remove the casing front & bottom panel. Refer to Frames 42 & 43.
 3. Drain the boiler. Refer to Frame 70.
 4. Remove the 4 screws retaining the rear support plate and withdraw the plate. Refer to Frame 68.
- Note.** *The M4 screws fit the casing and the self-tapping screws fit the plastic pump and valve housings.*
5. Remove the valve actuator head. Refer to Frame 61.
 6. Remove the 4 Allen screws and remove the valve mechanism.
 7. Fit the new valve mechanism and gasket, ensuring correct fit over the location pin.
 8. Reassemble in reverse order, ensuring correct location of screws in the support plate and that tabs on the pump and valve housings engage in slots.
 9. Refill the boiler. Refer to Frame 29.
 10. Check operation of the boiler. Refer to Frame 50.

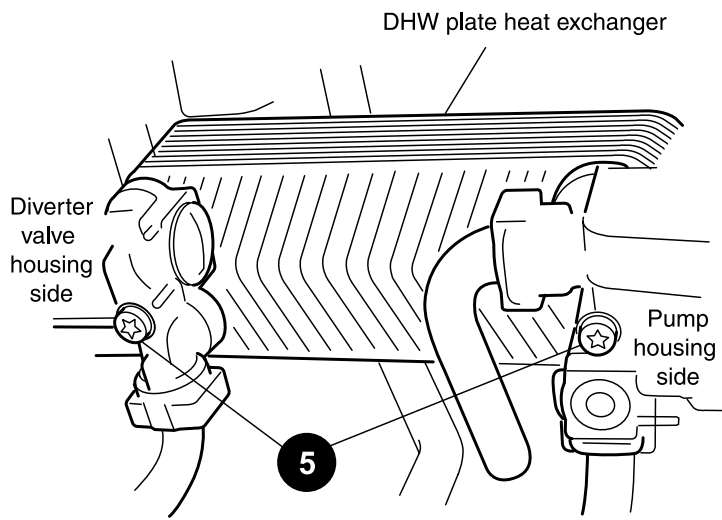


72 DHW PLATE HEAT EXCHANGER REPLACEMENT

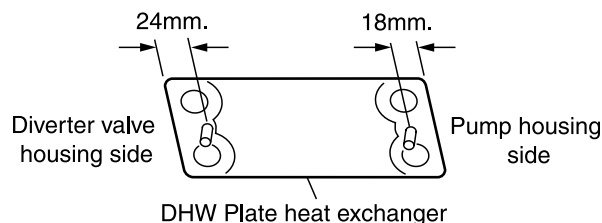
1. Refer to Frame 50.
2. Remove the casing front & bottom panel. Refer to Frames 42 & 43.
3. Drain the boiler. Refer to Frame 70.
4. Remove the 4 screws securing the rear support plate and withdraw the plate. Refer to Frame 68.

Note. The M4 screws fit the casing and the self-tapping screws fit the plastic pump and valve housings.

5. Remove the 2 Torx screws securing the plate heat exchanger from the valve and pump housings.
6. Raise the RH side of the heat exchanger, lower the LH side through the bottom of the boiler and remove.
7. Fit the new heat exchanger, using the new gaskets supplied.
8. Reassemble in reverse order, ensuring correct location of screws in the support plate and that tabs on the pump and valve housings engage in slots.
9. Refill the boiler. Refer to Frame 29.
10. Check operation of the boiler. Refer to Frame 50.



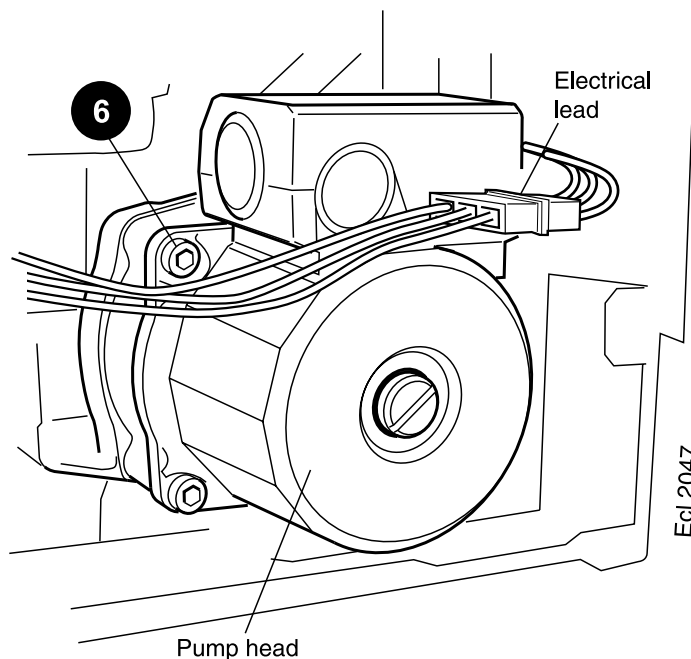
Note. The DHW plate heat exchanger will only fit one way



nm 2842

73 PUMP HEAD REPLACEMENT

1. Refer to Frame 50.
2. Remove the casing front & bottom panel. Refer to Frames 42 & 43.
3. Drain the boiler. Refer to Frame 70.
4. Swing the control box down into the servicing position. Refer to Frame 44.
5. Disconnect the electrical lead from the pump.
6. Remove the 4 Allen screws retaining the pump head.
7. Remove the pump head.
8. Fit the new pump head.
9. Reassemble in reverse order.
10. Refill the boiler. Refer to Frame 29
11. Check operation of the boiler. Refer to Frame 50.



Ecl 2047

74 HEAT ENGINE REPLACEMENT

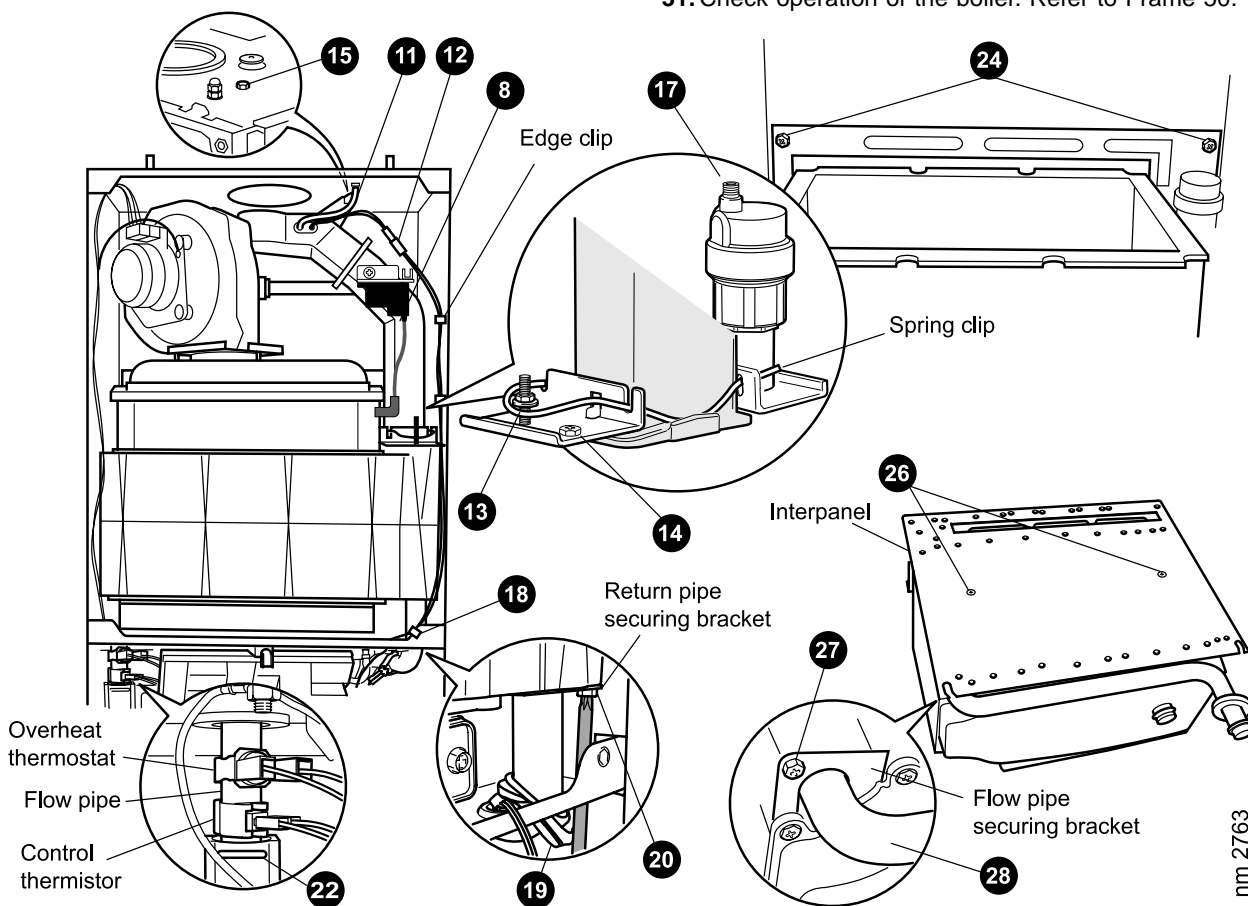
Refer also to Frame 8 - 'Boiler Exploded View'.

IMPORTANT

Before starting the removal procedure, protect the gas and electrical controls with a waterproof sheet or plastic bag.

1. Refer to Frame 50.
2. Remove the boiler front, bottom and sealing panels. Refer to Frames 42 & 43.
3. Drain the boiler. Refer to Frame 70.
4. Remove the control box and place on one side. Refer to Frame 64.
5. Remove the fan / venturi assembly and place on one side. Refer to Frame 45.
6. Remove the burner and place on one side. Refer to Frame 46.
7. Remove the ignition and detection electrodes. Refer to Frames 56 and 57.
8. Remove the spark generator. Refer to Frame 58.
9. Release the flue from the turret. Refer to Frame 23.
10. Remove the turret from the boiler. Refer to Frame 23
11. Release the silicone tubing from the sampling point.
12. Release the electrical connection to the flue thermistor.
13. Remove the M5 nut retaining the flue casting spring clip and remove the spring clip.
14. Undo the 2 M5 x 10 flue spring clip retaining bracket screws and remove the bracket.
15. Remove the M5 x 10 screw retaining the flue casting.
16. Remove the flue casting.

17. Remove the automatic air vent, complete with the adapter. Refer to Frame 69.
 18. Remove the edge clip securing the flue thermistor wiring.
 19. Remove the blind grommet to gain access to the return pipe securing bracket.
 20. Remove the M5 screw and remove the return pipe securing bracket by sliding forwards.
 21. Remove the overheat thermostat and the control thermistor. Refer to Frame 55.
 22. Remove the securing pin to release the flow pipe.
 23. Remove the condensate 'S' trap. Refer to Frame 62.
 24. Remove the 2 M5 screws securing the interpanel to the back panel.
 25. Slide the heat exchanger and interpanel assembly upward to disengage and remove from the casing, complete with the flow pipe.
 26. Remove the 2 M6 countersunk screws, remove the interpanel and transfer to the new heat exchanger.
 27. Remove the M5 screw and remove the flow pipe securing bracket.
 28. Remove the flow pipe and transfer to the new heat exchanger.
 29. Reassemble in reverse order, replacing gaskets or seals if any sign of damage or deterioration is evident.
- Note.** The heat exchanger is supplied with new combustion chamber insulation boards. These should be fitted (refer to Frame 61 before the burner and fan / venturi assembly and before the ignition and detection electrodes are replaced).
30. Refill the boiler. Refer to Frame 29.
 31. Check operation of the boiler. Refer to Frame 50.



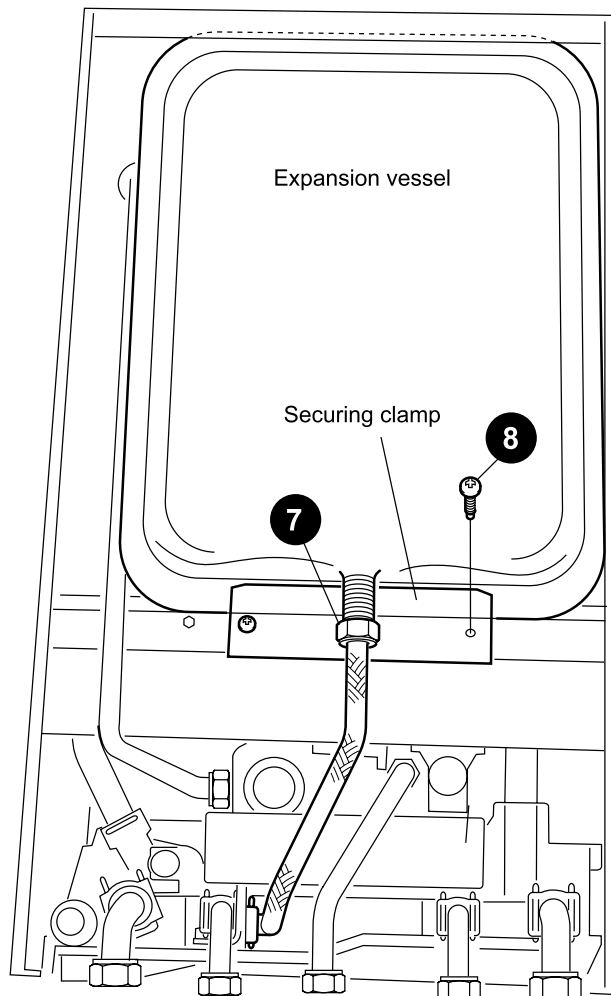
nm 2763

75 EXPANSION VESSEL REPLACEMENT

1. Refer to Frame 50.
2. Drain the boiler. Refer to Frame 70.
3. Unscrew all the gas and water connection unions on the boiler side of the valves.
4. Remove the screw from the turret clamp and remove.
5. Remove the turret.
6. Lift the complete boiler from the wall mounting frame and place on a flat surface, face down, to expose the expansion vessel.
7. Unscrew the union nut on the vessel water connection pipe.
8. Unscrew the 2 screws from the securing clamp and remove.
9. Remove the expansion vessel.
10. Fit the new expansion vessel.
11. Reassemble in reverse order.
12. Refill the boiler. Refer to Frame 29.
13. Check operation of the boiler. Refer to Frame 50.

Note.

If preferred, and for convenience, a new expansion vessel may be installed elsewhere in the heating system, providing it ensures equivalent system protection.



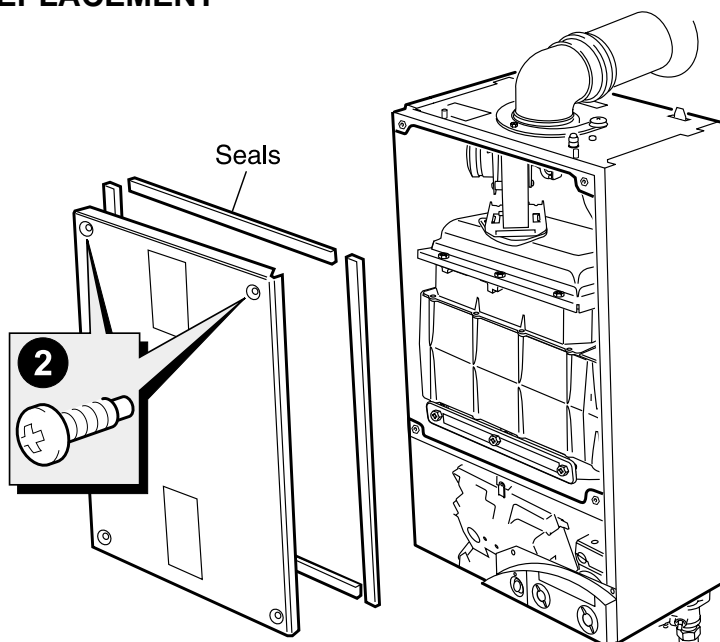
Ecl 6083

Rear view of the boiler

76 BOILER SEALING PANEL SEAL REPLACEMENT

1. Refer to Frame 50.
2. Remove the boiler front and sealing panels. Refer to Frames 42 & 43 .
3. Remove the old seal from the casing and thoroughly clean the casing surfaces.
4. Fit the new adhesive seals, note that they are supplied to the correct length for the relevant sides.
5. Reassemble in reverse order.
6. Check operation of the boiler. Refer to Frame 50.

Note. *Ensure that the boiler sealing panel is correctly sealed, compressing the seal to make an airtight joint.*



nm 2764

FAULT FINDING

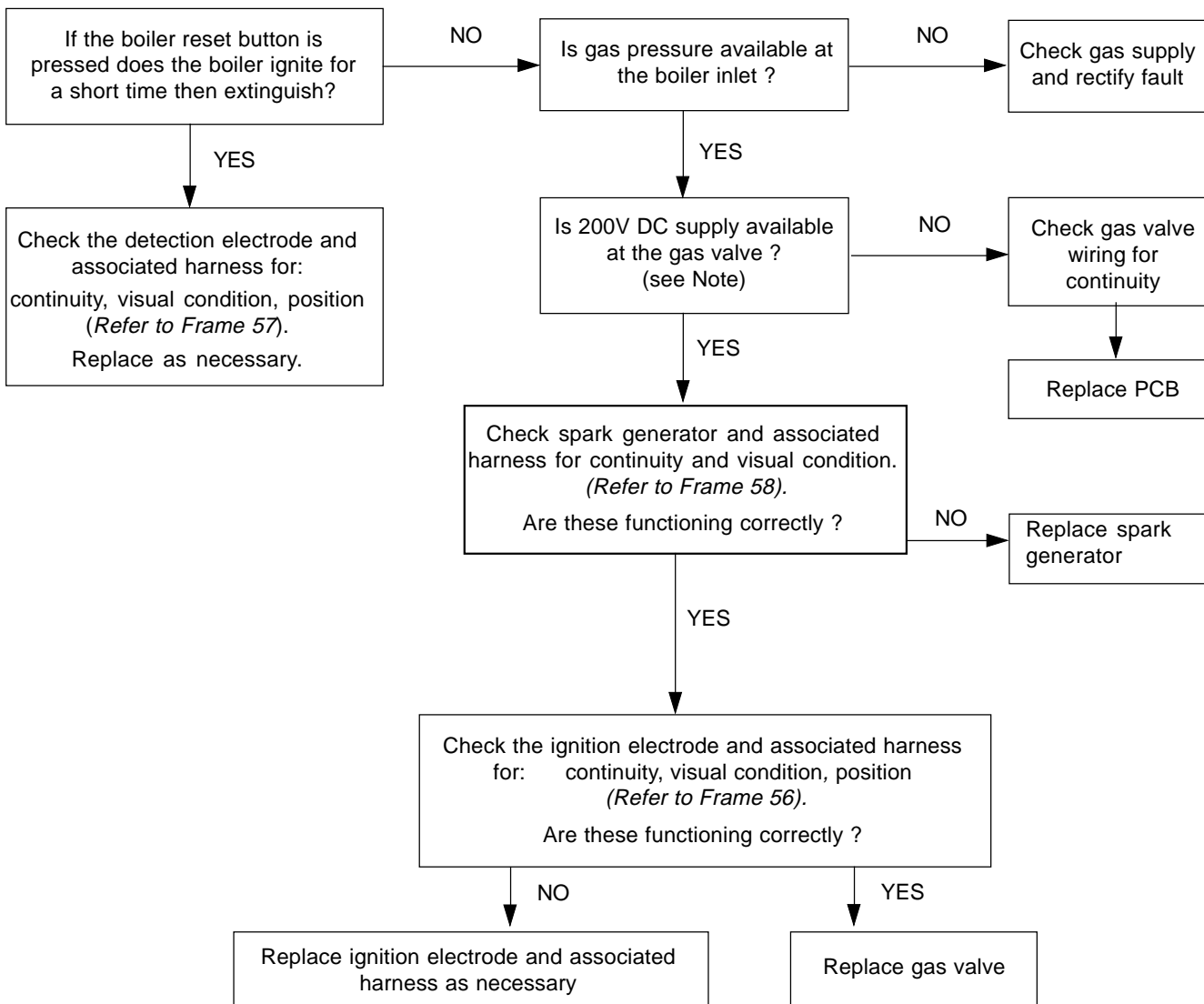
77 FAULT FINDING CHART MAIN MENU

In order to assist fault finding the boiler has an LED diagnostic display. The key to the display codes is as follows:

| | |
|---------------------|----------------|
| ALTERNATING 'L' 'F' | GO TO FRAME 78 |
| ALTERNATING 'L' 'E' | GO TO FRAME 79 |
| ALTERNATING 'L' 'A' | GO TO FRAME 80 |
| ALTERNATING 'L' '8' | GO TO FRAME 81 |
| ALTERNATING 'H' '1' | GO TO FRAME 82 |
| ALTERNATING 'H' '2' | GO TO FRAME 83 |
| ALTERNATING 'H' '3' | GO TO FRAME 84 |
| ALTERNATING 'H' '4' | GO TO FRAME 85 |
| ALTERNATING 'H' 'F' | GO TO FRAME 86 |
| ALTERNATING 'H' 'n' | GO TO FRAME 87 |
| ALTERNATING 'H' 'E' | GO TO FRAME 79 |

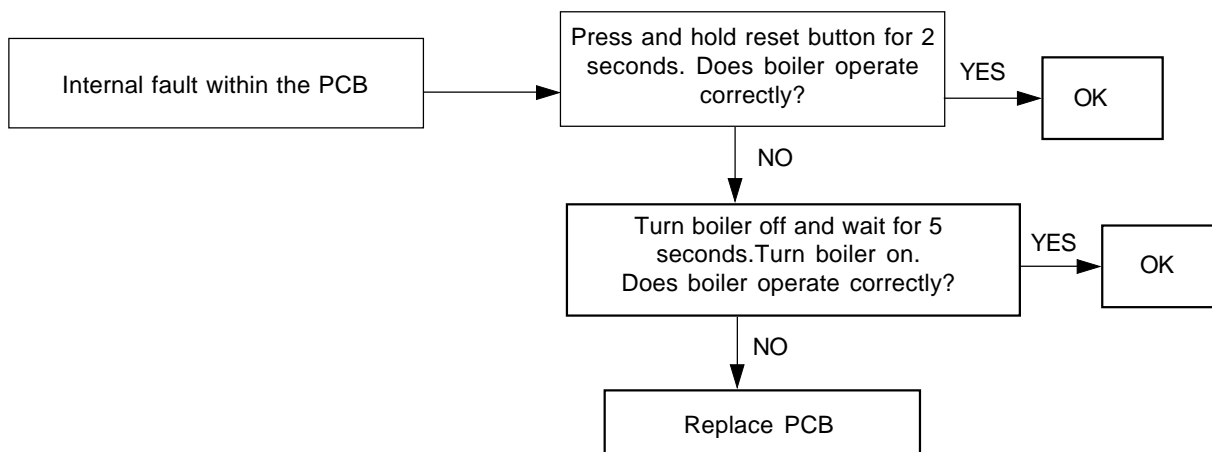
FAULT FINDING

78 L.....F..... (FLAME DETECTION ERROR)



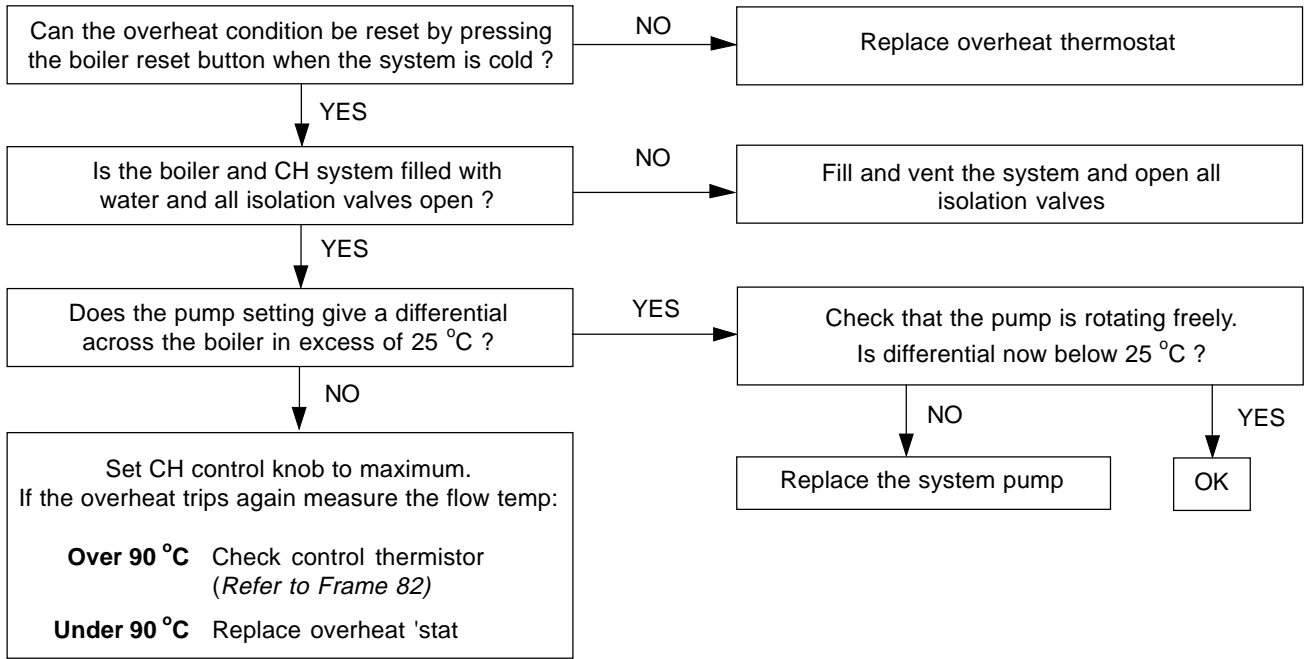
Note. Due to the wave form of the rectified voltage, the reading will vary depending on the type of meter used to measure the value (some may measure the possible peak voltage of 339V). In general terms a reading greater than 150V indicates that the correct voltage is supplied to the gas valve. As an alternative to a meter, a mains voltage checking device may be used. E.g. an electrical screwdriver or mains tester.

79 L.....E..... or H.....E..... (PCB ERROR)

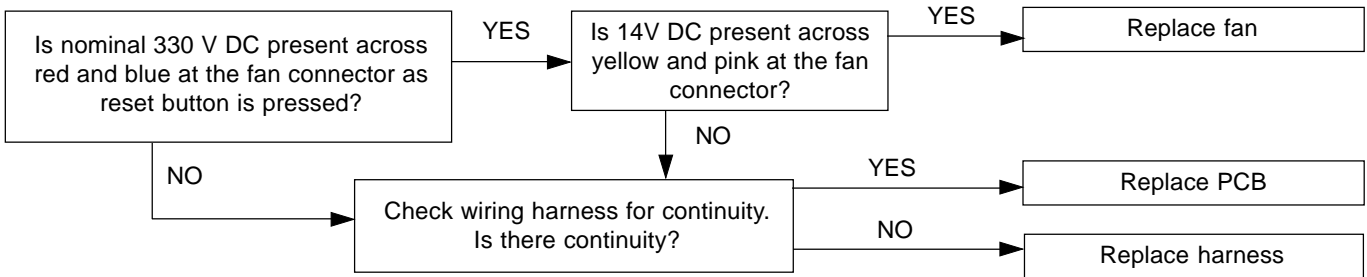


FAULT FINDING

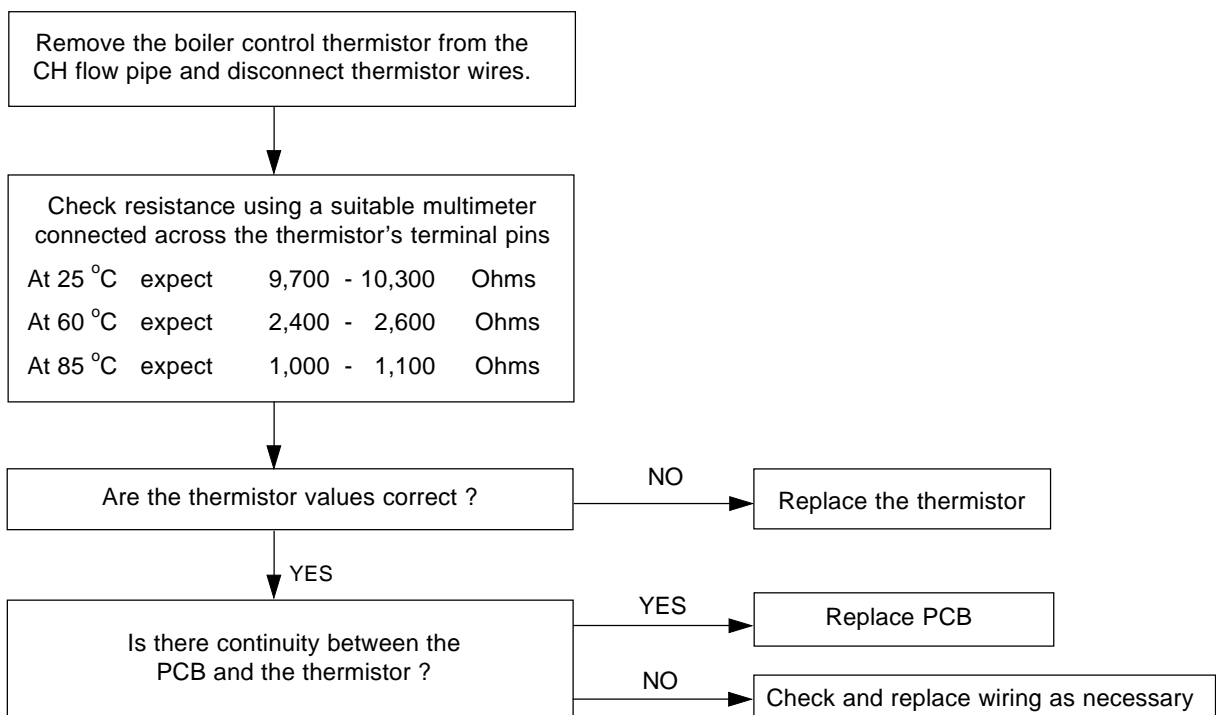
80 L.....A..... (OVERHEAT ERROR)



81 L....8..... (FAN ERROR)

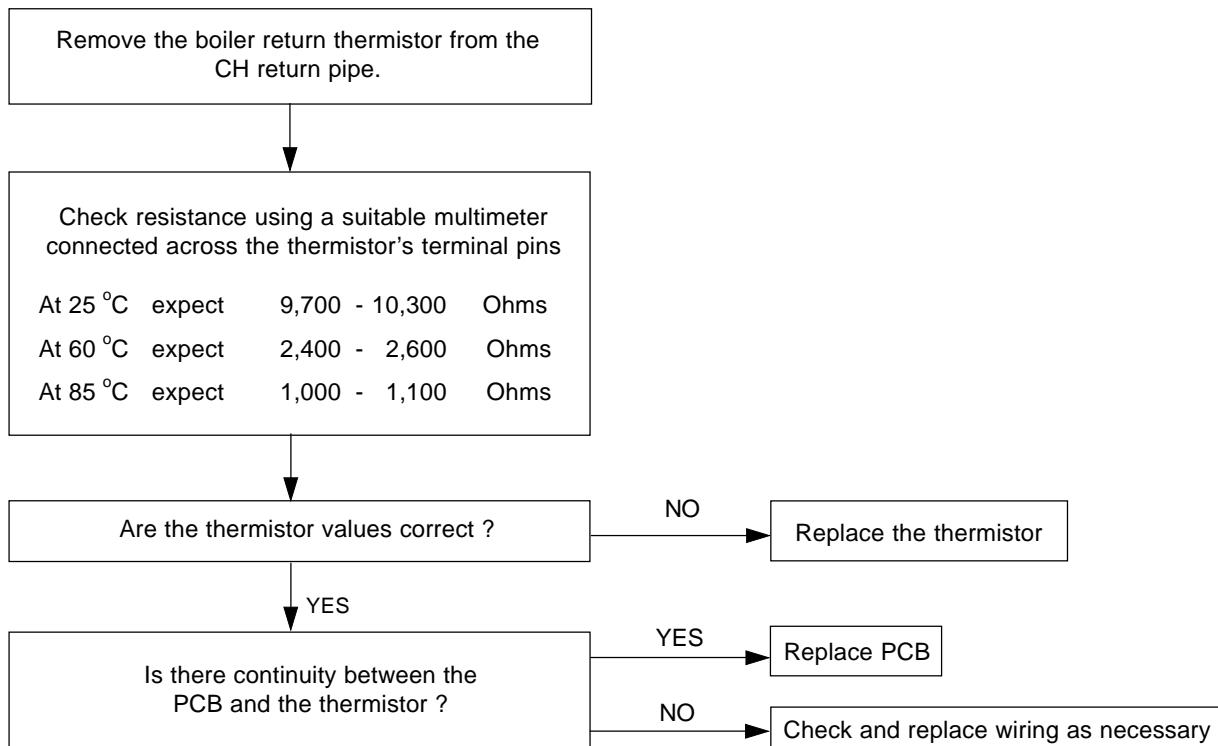


82 H.....1..... (CONTROL THERMISTOR [FLOW] ERROR)

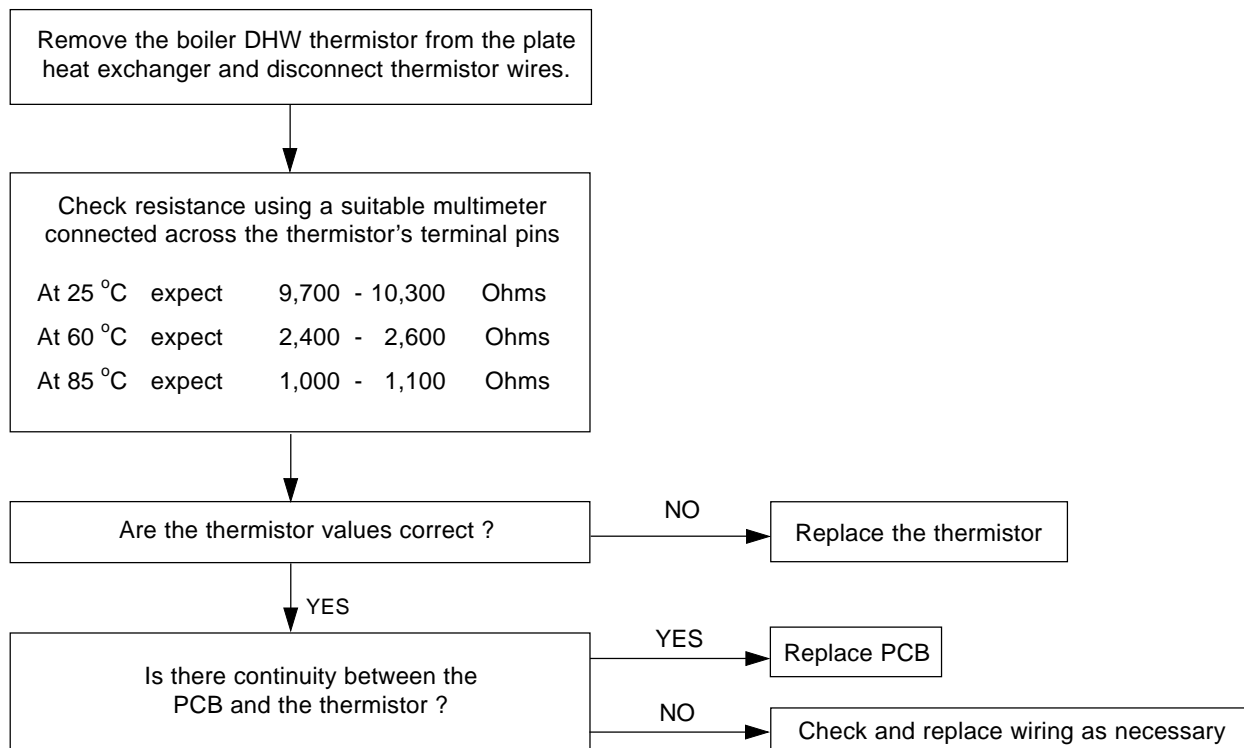


FAULT FINDING

83 H.....2..... (CONTROL THERMISTOR [RETURN] ERROR)

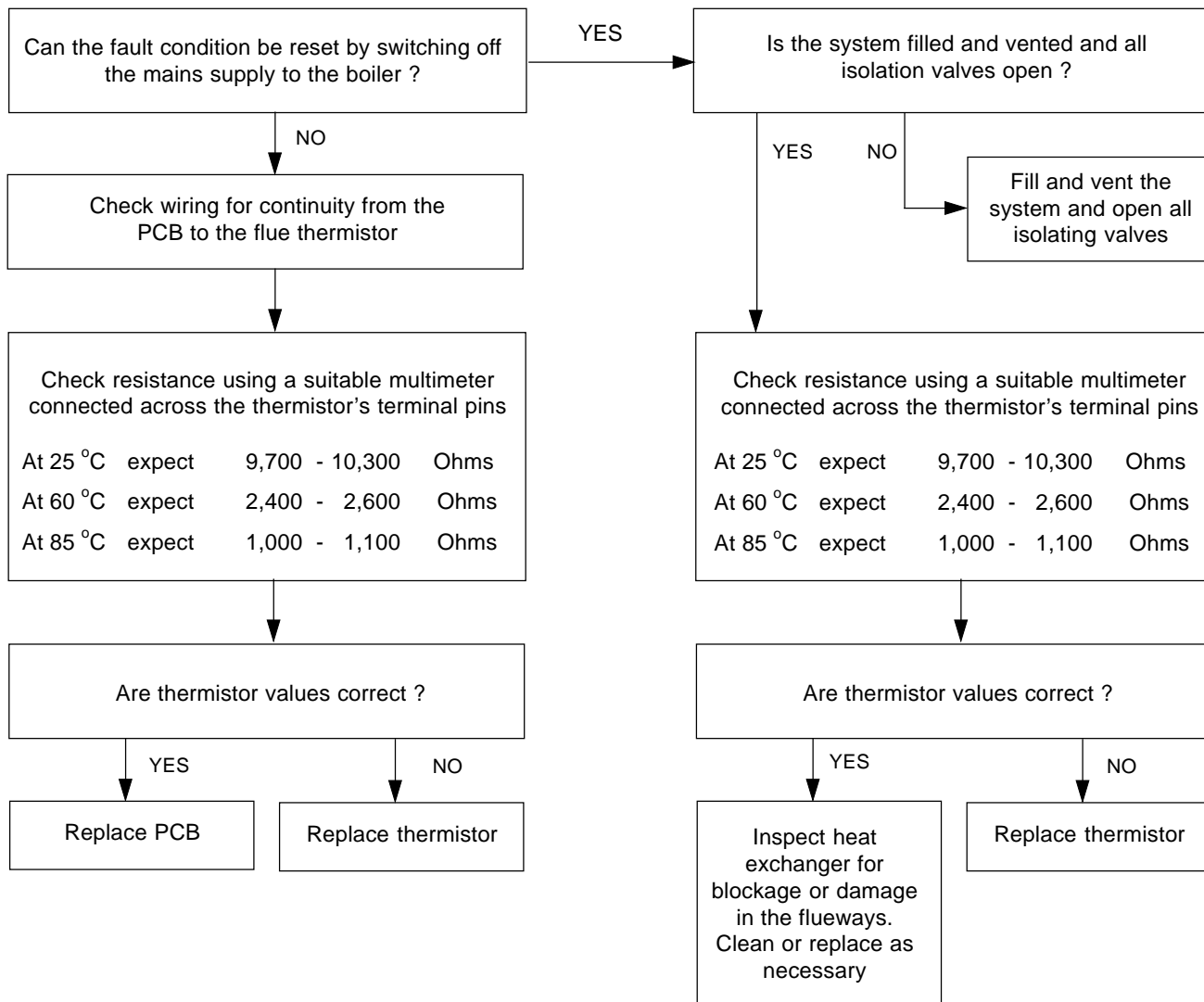


84 H.....3..... (DHW THERMISTOR ERROR)

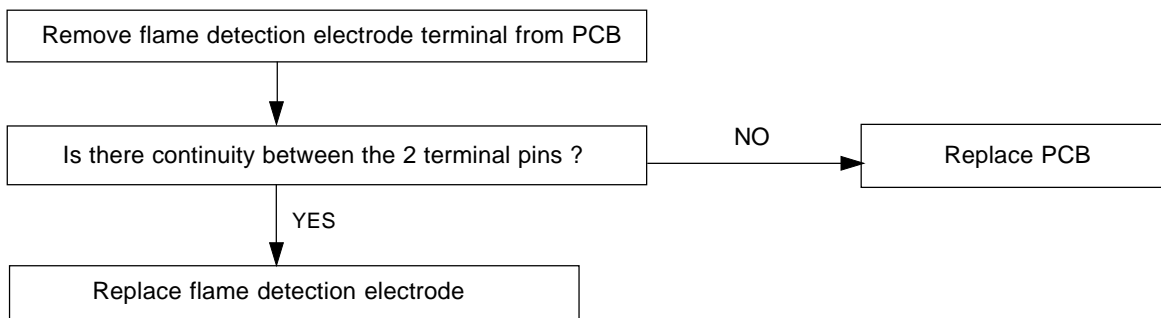


FAULT FINDING

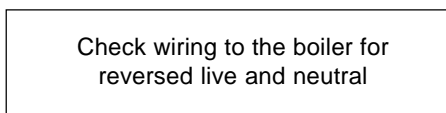
85 H.....4..... (FLUE THERMISTOR ERROR)



86 H.....F..... (FLAME DETECTION ERROR)



87 H.....n..... (PHASE REVERSAL ERROR)



SHORT LIST OF PARTS

The following are parts commonly required due to damage or expendability. Their failure or absence is likely to affect safety or performance of this appliance.

The list is extracted from the British Gas List of Parts, which contains all available spare parts.

The full list is held by British Gas Services, Caradon Ideal Limited distributors and merchants.

When ordering spares please quote:

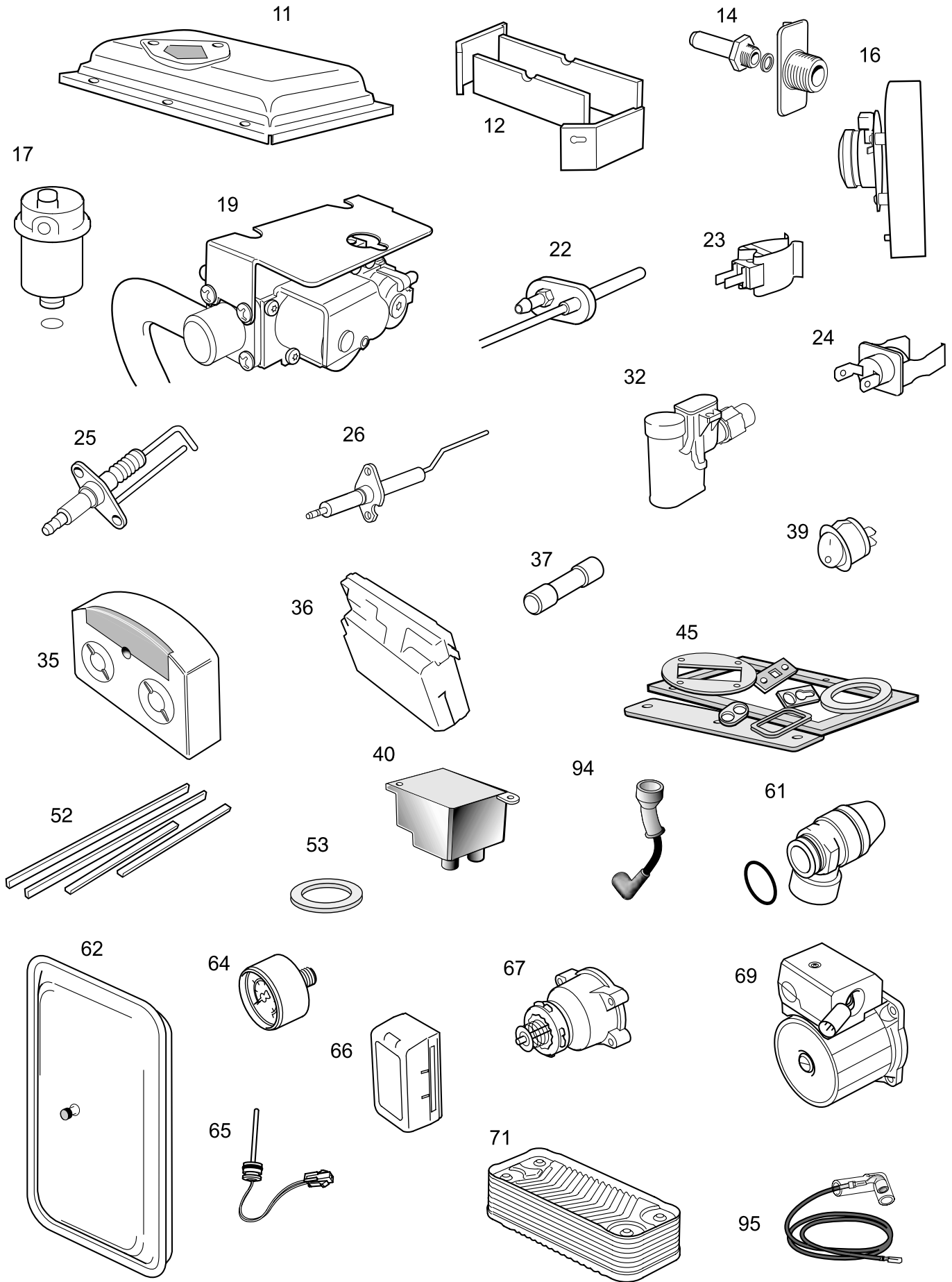
1. Boiler model
2. Appliance G.C. No.
3. Description.
4. Quantity.
5. Product number.

When replacing any part on this appliance use only spare parts that you can be assured conform to the safety and performance specification that we require. Do not use reconditioned or copy parts that have not been clearly authorised by Ideal Boilers.

| Key No. | G.C. Part No. | Description | Qty. | Product Number |
|---------|---------------|---|----------------------|-------------------------------|
| 1 | E69-280 | Front casing panel | 1 | 173 509 |
| 4 | E69-384 | Bottom casing panel | 1 | 171 027 |
| 11 | E67-489 | Burner | 1 | 170 905 |
| 12 | | Combustion chamber insulation | 1 | 173 520 |
| 14 | E67-492 | Injector and housing | HE24/30 HE35 | 170 908 173 522 |
| 16 | E85-097 | Fan assembly | HE24/30 HE35 | 172 625 173 525 |
| 17 | E69-286 | Automatic air vent | 1 | 170 988 |
| 19 | E69-288 | Gas control valve | 1 | 171 035 |
| 22 | E67-500 | Flue thermistor | 1 | 170 916 |
| 23 | E67-501 | Control thermistor (flow/return) | 2 | 170 917 |
| 24 | E67-502 | Overheat thermostat | 1 | 170 918 |
| 25 | | Ignition electrode kit | 1 | 173 528 |
| 26 | | Flame detection electrode kit | HE24/30 HE35 | 173 529 170 984 |
| 32 | E67-511 | Condensate 'S' trap | 1 | 170 926 |
| 35 | | User control (display unit) | 1 | 173 533 |
| 36 | | PCB primary controls (includes plastic housing) | HE24/30 HE35 | 173 534 170 930 |
| 37 | E67-519 | Fuse PCB (3.15A L250V) | 1 | 170 931 |
| 39 | | Mains switch c/w harness | 1 | 173 537 |
| 40 | | Spark generator assy. | 1 | 173 538 |
| 45 | E67-527 | Gasket kit (servicing) | 1 | 170 938 |
| 52 | E68-376 | Seal kit (sealing panel) | 1 | 171 014 |
| 53 | E68-380 | Turret gasket | 1 | 171 022 |
| 61 | E69-338 | Pressure relief valve | 1 | 170 992 |
| 62 | | Expansion vessel | 1 | 173 066 |
| 64 | E69-341 | Pressure gauge | 1 | 170 991 |
| 65 | E69-403 | DHW thermistor | 1 | 170 996 |
| 66 | E69-404 | Diverter valve motor head | 1 | 170 997 |
| 67 | E69-405 | Diverter valve body | 1 | 170 998 |
| 69 | E69-342 | Pump | 1 | 170 990 |
| 71 | E69-408 | Plate heat exchanger | HE24 HE30 HE35 | 173 544 170 995 173 545 |
| 94 | | Ignition lead | 1 | 173 510 |
| 95 | | Detection lead | 1 | 173 512 |

SHORT LIST OF PARTS

88 SHORT LIST

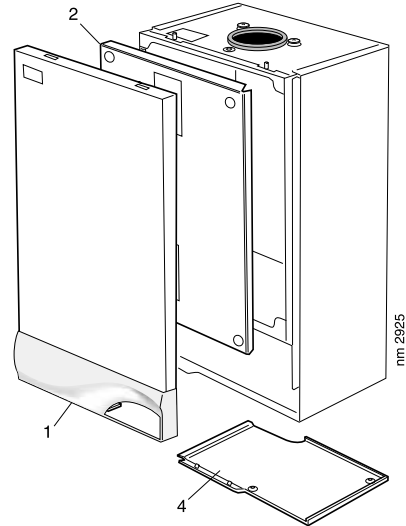


Ecl 2767

LIST OF PARTS

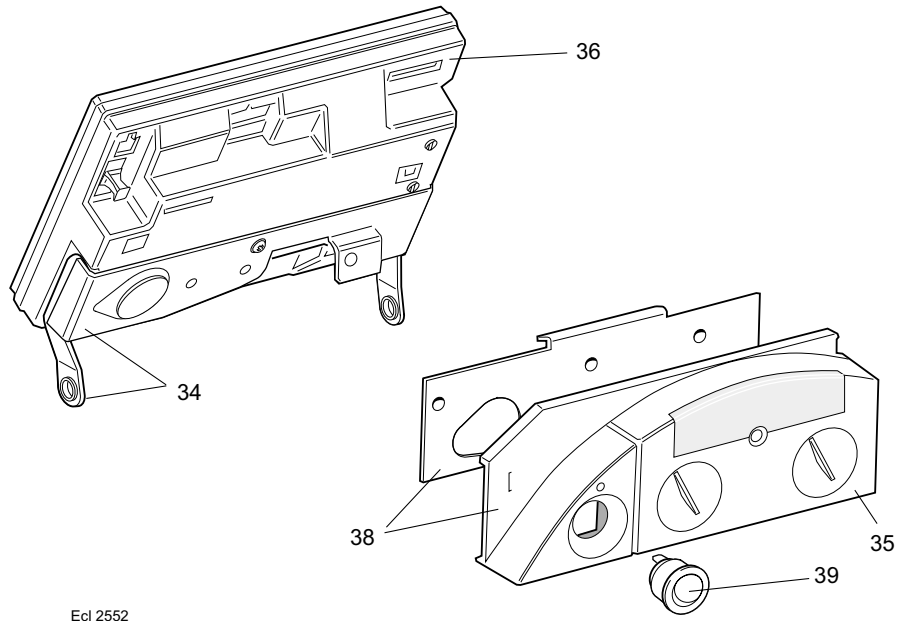
89 BOILER CASING ASSEMBLY

1. Front casing panel with screws.
2. Sealing panel with screws.
4. Bottom panel with screws.



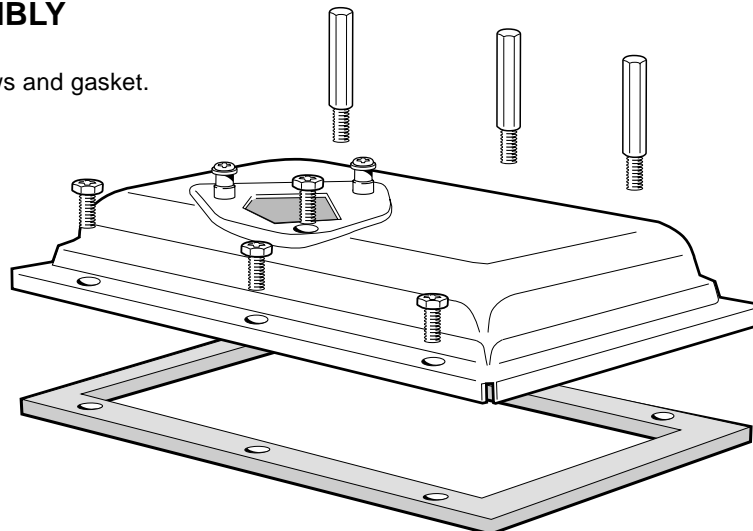
90 CONTROLS ASSEMBLY

33. Controls assy with screws.
34. Controls hinge bracket.
35. User controls (without item 38).
36. PCB (primary controls).
38. User controls housing
39. Mains switch.
54. Jumper link (not shown)



91 BURNER ASSEMBLY

11. Burner assembly with screws and gasket.





*The code of practice for the installation,
commissioning & servicing of central heating systems*

Technical Training

The Ideal Boilers Technical Training Centre offers a series of first class training courses for domestic, commercial and industrial heating installers, engineers and system specifiers.

For details of courses please ring: 01482 498 432



CERTIFIED PRODUCT
Manufactured under a BS EN ISO 9001:
2000 Quality System accepted by BSI

Ideal Boilers, P.O. Box 103, National Ave, Kingston upon Hull, HU5 4JN. Telephone: 01482 492 251 Fax: 01482 448 858. Registration No. London 322 137.

Caradon Ideal Limited pursues a policy of continuing improvement in the design and performance of its products. The right is therefore reserved to vary specification without notice.



i Ideal BOILERS
ENGINEERED FOR PEACE OF MIND

Caradon
Ideal Limited

Ideal Installer/Technical Helpline: 01482 498 663
www.idealboilers.com